

**SciCLONE™**

Separation

# Comprehensive Stormwater Solutions

Bio  Clean  
A Forterra Company



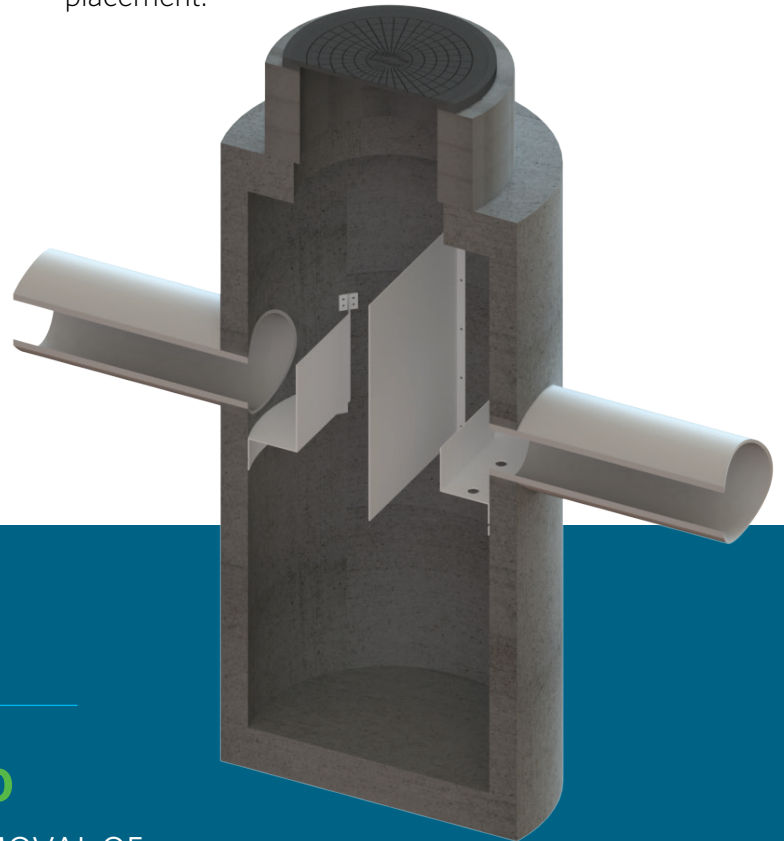
# OVERVIEW

The Bio Clean SciCLONE™ is the first separator to offer complete and efficient hydrodynamic separation. Stormwater separators have been used for more than 20 years, yet no technology has been able to combine all necessary features required for a truly effective system. The SciCLONE's simple design allows for high TSS removal efficiencies (80% for a particle size distribution typically found in stormwater runoff), internal bypass, and efficient capture/retention of free floating oils and trash.

For enhanced sediment removal, the SciCLONE's inlet flow splitter redirects inlet flows away from the center of the chamber in two directions along the system's perimeter. From there, the flow goes toward the oil skimmer, along the skimmer wall, and back

toward the inlet in the middle of the chamber creating two swirling vortices. This feature maximizes flow path and directs fine sediment to settle out back below the inlet.

In addition, the system can accept multiple inflow pipes at various angles for easy placement.



## PERFORMANCE

**80%**  
REMOVAL  
OF TSS

**99%**  
REMOVAL OF  
OILS AND GREASE

## ADVANTAGES

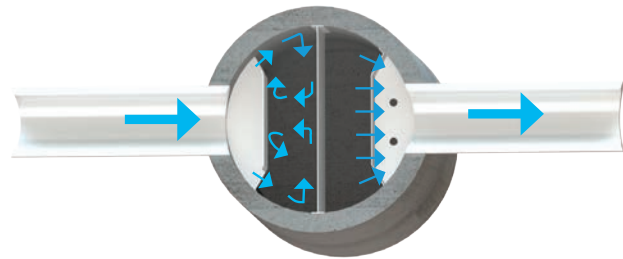
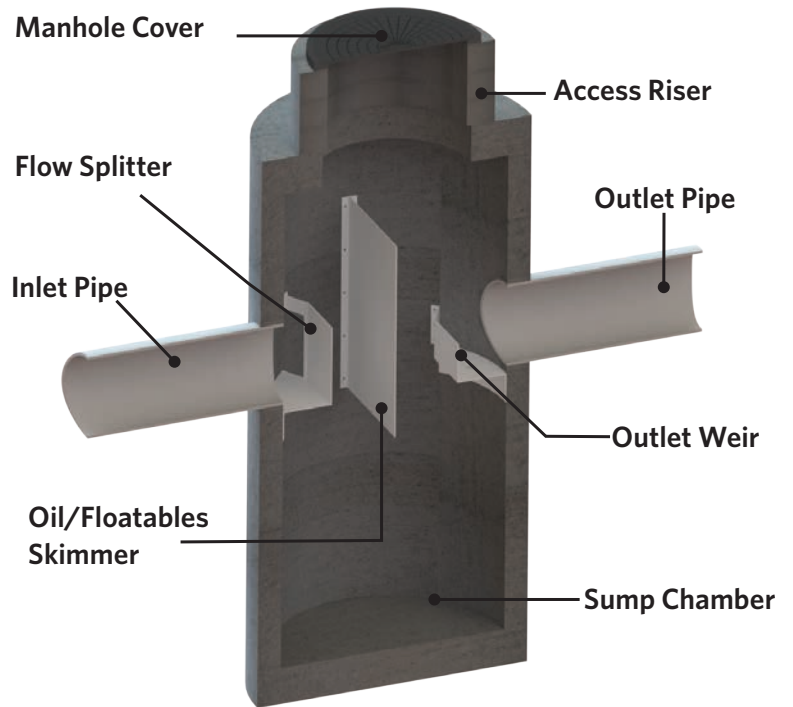
- EFFECTIVE AT REMOVING FLOATABLES, TRASH, AND HYDROCARBONS
- MADE IN THE USA
- 100% NONCORROSIVE INTERNAL COMPONENTS
- INDEPENDENTLY TESTED BY A THIRD PARTY LABORATORY

# OPERATIONS

The SciCLONE is manufactured from high density polyethylene components which are noncorrosive and extremely durable.

The flow splitter reduces inlet velocities and directs flow to the perimeter of the structure in two directions. As the flow reaches the oil skimmer, it's directed to the center and then back toward the inlet to maximize flow path and settling of finer TSS. This also creates a calm area for the collection of floatables and hydrocarbons behind the oil/floatables skimmer.

The outlet weir provides a long and even surface for flows to pass over. By distributing the flow out of the system evenly, exit velocities are also reduced which helps to maximize the available area within the system for hydrodynamic separation.



# APPROVALS



# SPECIFICATIONS

MODEL #	DIAMETER (ft.)	SURFACE AREA (sq. ft.)	STORAGE CAPACITY (cu. ft.)
SC-3	3	7.1	11
SC-4	4	12.6	19
SC-5	5	19.6	29
SC-6	6	28.3	42
SC-7	7	38.5	58
SC-8	8	50.2	75
SC-9	9	63.6	95
SC-10	10	78.5	118
SC-11	11	95.0	142
SC-12	12	113.0	170
SC-13	13	132.7	199
SC-14	14	153.9	231

# INSTALLATION



Installation of the SciCLONE is quick and easy. The system is composed of a base section, a middle riser with holes for pipe connections and internals preinstalled, a top, risers to bring access to finish surface, and access covers. Installation of the system follows the same procedures as standard manhole installation. We carry the structures in inventory allowing for short lead times to meet your project schedule.

# MAINTENANCE



We have always taken pride in providing systems that are not only effective at treating stormwater but also incredibly easy to maintain. We believe that a stormwater BMP is only as good as its maintenance, and therefore BMPs must be easy to clean for them to be effective. The SciCLONE provides better maintenance access than any other hydrodynamic separator on the market. The entire sump of the system is accessible and can be viewed from the finish surface. Unlike other systems that have only a small cleaning port, the SciCLONE is fully open from top to bottom. As shown below, the system can be accessed from both sides of the skimmer wall with an open area to opposite sides of the structure.

**Bio Clean**  
A Forterra Company

398 Via El Centro  
Oceanside, CA 92058  
855.566.3938  
stormwater@forterrabp.com  
biocleanenvironmental.com