



State of New Jersey

DEPARTMENT OF ENVIRONMENTAL PROTECTION

Bureau of Nonpoint Pollution Control

Division of Water Quality

401-02B

Post Office Box 420

Trenton, New Jersey 08625-0420

609-633-7021 Fax: 609-777-0432

http://www.state.nj.us/dep/dwq/bnpc_home.htm

KIM GUADAGNO

CHRIS CHRISTIE

Governor

Lt. Governor

BOB MARTIN

Commissioner

December 21, 2017

Zachariha J. Kent
Director of Research & Development
BioClean Environmental Services, Inc.
P O Box 869
Oceanside, CA 92049

Re: MTD Lab Certification
SciClone™ Hydrodynamic Separator by BioClean Environmental Services, Inc.
On-line Installation

TSS Removal Rate 50%

Dear Mr. Kent:

The Stormwater Management rules under N.J.A.C. 7:8-5.5(b) and 5.7 (c) allow the use of manufactured treatment devices (MTDs) for compliance with the design and performance standards at N.J.A.C. 7:8-5 if the pollutant removal rates have been verified by the New Jersey Corporation for Advanced Technology (NJCAT) and have been certified by the New Jersey Department of Environmental Protection (NJDEP). BioClean Environmental Services, Inc. has requested an MTD Laboratory Certification for the SciClone™ Hydrodynamic Separator (SciClone).

The project falls under the "Procedure for Obtaining Verification of a Stormwater Manufactured Treatment Device from New Jersey Corporation for Advance Technology" dated January 25, 2013. The applicable protocol is the "New Jersey Laboratory Testing Protocol to Assess Total Suspended Solids Removal by a Hydrodynamic Sedimentation Manufactured Treatment Device" dated January 25, 2013.

NJCAT verification documents submitted to the NJDEP indicate that the requirements of the aforementioned protocol have been met or exceeded. The NJCAT letter also included a recommended certification TSS removal rate and the required maintenance plan. The NJCAT Verification Report with the Verification Appendix (dated December 2017) for this device is published online at <http://www.njcat.org/verification-process/technology-verification-database.html>.

The NJDEP certifies the use of the SciClone by BioClean Environmental Services, Inc. at a TSS removal rate of 50% when designed, operated, and maintained in accordance with the information provided in the Verification Appendix and the following conditions:

1. The maximum treatment flow rate (MTFR) for the manufactured treatment device (MTD) is calculated using the New Jersey Water Quality Design Storm (1.25 inches in 2 hrs) in N.J.A.C. 7:8-5.5.
2. The SciClone shall be installed using the same configuration reviewed by NJCAT and shall be sized in accordance with the criteria specified in item 6 below.
3. This SciClone cannot be used in series with another MTD or a media filter (such as a sand filter) to achieve an enhanced removal rate for total suspended solids (TSS) removal under N.J.A.C. 7:8-5.5.
4. Additional design criteria for MTDs can be found in Chapter 9.6 of the New Jersey Stormwater Best Management Practices (NJ Stormwater BMP) Manual, which can be found online at www.njstormwater.org.
5. The maintenance plan for a site using this device shall incorporate, at a minimum, the maintenance requirements for the SciClone. A copy of the maintenance plan is attached to this certification. However, it is recommended to review the maintenance website at <http://www.biocleanenvironmental.com/wp-content/uploads/2017/07/Operations-Maintenance-SciClone-1.pdf> for any changes to the maintenance requirements.
6. Sizing Requirement:

The example below demonstrates the sizing procedure for the SciClone:

Example: A 0.25-acre impervious site is to be treated to 50% TSS removal using a SciClone. The impervious site runoff (Q) based on the New Jersey Water Quality Design Storm was determined to be 0.79 cfs.

Maximum Treatment Flow Rate (MTFR) Evaluation:

The site runoff (Q) was based on the following:

time of concentration = 10 minutes

$i = 3.2$ in/hr (page 5-8, Fig. 5-3 of the NJ Stormwater BMP Manual)

$c = 0.99$ (runoff coefficient for impervious)

$Q = ciA = 0.99 \times 3.2 \times 0.25 = 0.79$ cfs

Given the site runoff is 0.79 cfs and based on Table 1 below, the SciClone Model SC-5 with a MTFR of 1.09 cfs could be used for this site to remove 50% of the TSS from the impervious area without exceeding the MTFR.

The sizing table corresponding to the available system models is noted below. Additional specifications regarding each model can be found in the Verification Appendix under Tables A-1 and A-2.

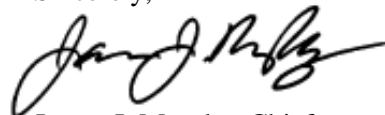
Table 1 SciClone Sizing Information

SciClone Model	Maximum Treatment Flow Rate (cfs)	Treatment Area (ft²)	Hydraulic Loading Rate (gpm/ft²)	50% Maximum Sediment Storage (ft³)
SC-3	0.39	7.1	25	5.3
SC-4	0.70	12.6	25	9.4
SC-5	1.09	19.6	25	14.7
SC-6	1.57	28.3	25	21.2
SC-7	2.14	38.5	25	28.9
SC-8	2.80	50.2	25	37.7
SC-9	3.54	63.6	25	47.7
SC-10	4.37	78.5	25	58.9
SC-11	5.29	95.0	25	71.2
SC-12	6.30	113.0	25	84.8
SC-13	7.39	132.7	25	99.5
SC-14	8.57	153.9	25	115.4

A detailed maintenance plan is mandatory for any project with a Stormwater BMP subject to the Stormwater Management Rules, N.J.A.C. 7:8. The plan must include all of the items identified in the Stormwater Management Rules, N.J.A.C. 7:8-5.8. Such items include, but are not limited to, the list of inspection and maintenance equipment and tools, specific corrective and preventative maintenance tasks, indication of problems in the system, and training of maintenance personnel. Additional information can be found in Chapter 8: Maintenance and Retrofit of Stormwater Management Measures.

If you have any questions regarding the above information, please contact Mr. Shashi Nayak of my office at (609) 633-7021.

Sincerely,

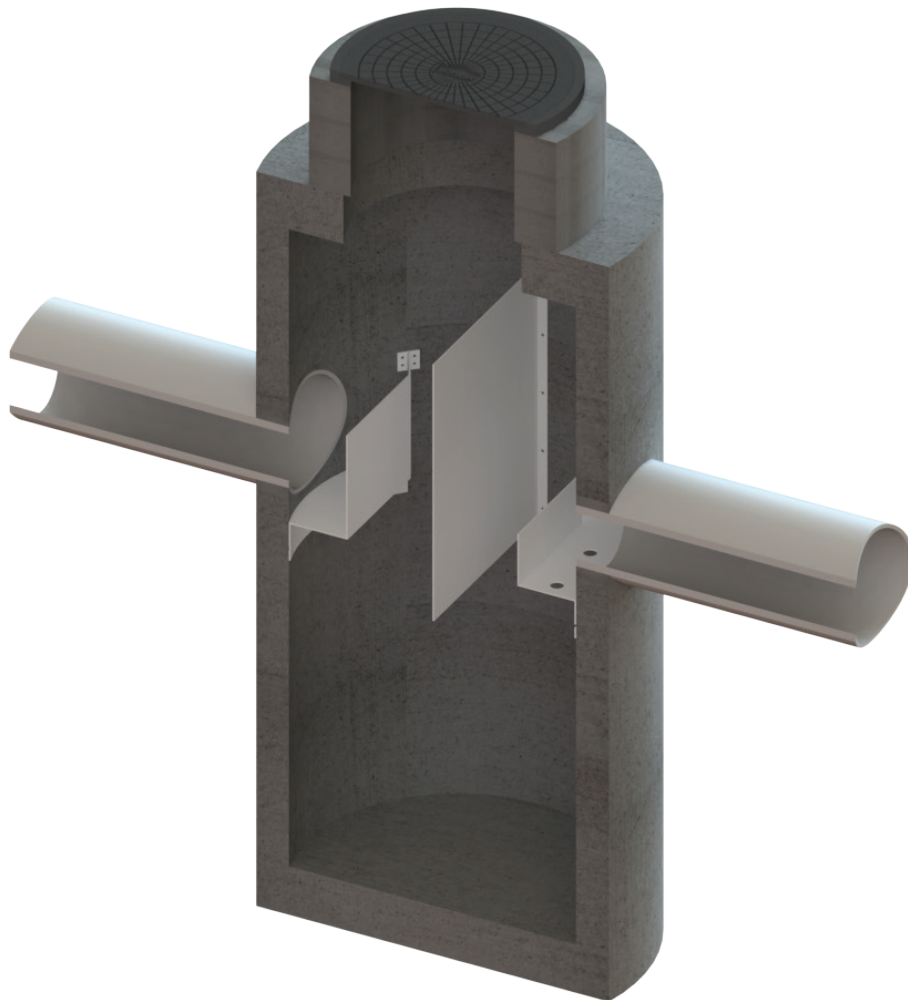


James J. Murphy, Chief
Bureau of Nonpoint Pollution Control

Attachment: Maintenance Plan

cc: Chron File
Richard Magee, NJCAT
Vince Mazzei, NJDEP - DLUR
Ravi Patraju, NJDEP - BES
Gabriel Mahon, NJDEP - BNPC
Shashi Nayak, NJDEP - BNPC

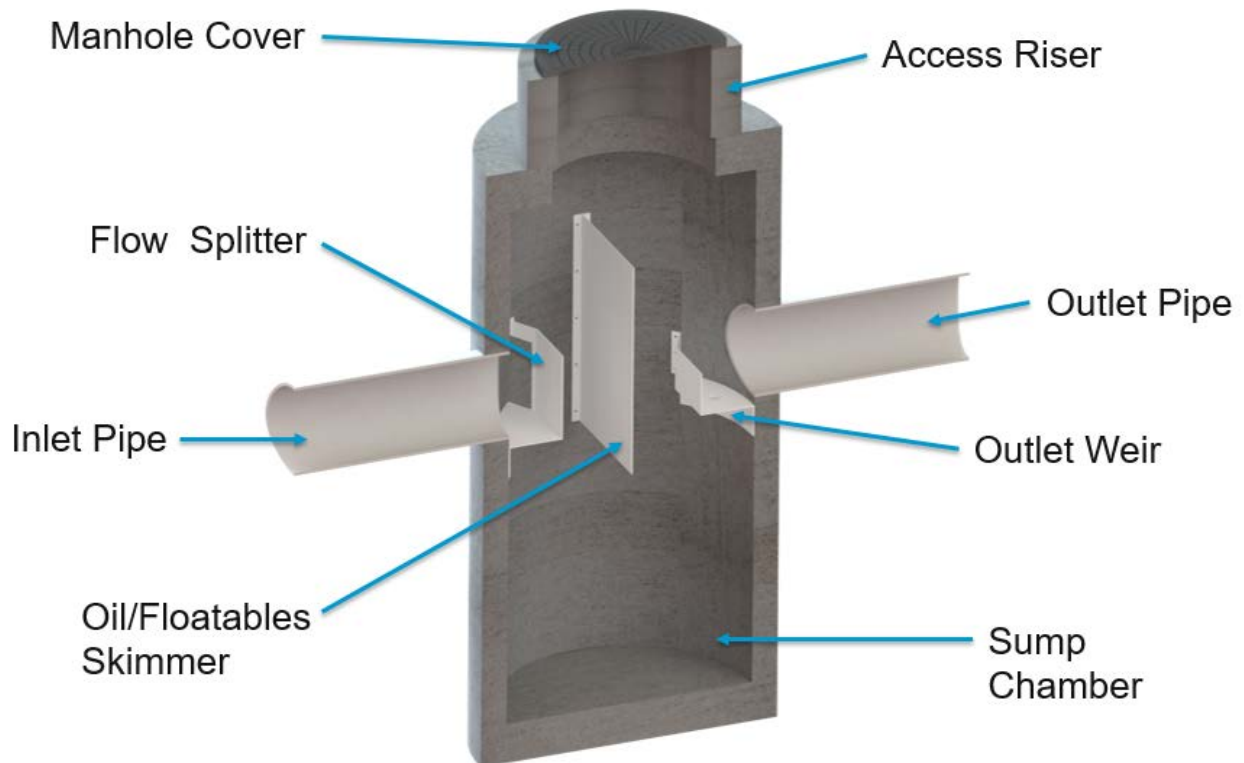
OPERATION & MAINTENANCE



OPERATION & MAINTENANCE

The SciCLONE™ Hydrodynamic Separator is designed to remove high levels of trash, debris, sediments and hydrocarbons. Its efficient design and construction maximize longevity and minimize maintenance requirements. The simple design of the system allows for unimpeded access for quick and easy maintenance. The SciCLONE™ is able to effectively capture and store sediment with no maintenance or loss of treatment capacity for a several years based on annual average loading in most regions.

Yet, as with all stormwater BMPs inspection and maintenance on the SciCLONE™ Hydrodynamic Separator is necessary. Stormwater regulations require that all BMPs be inspected and maintained to ensure they are operating as designed to allow for effective pollutant removal and provide protection to receiving water bodies. It is recommended that inspections be performed multiple times during the first year to assess site-specific loading conditions. This is recommended because pollutant loading can vary greatly from site to site. Variables such as nearby soil erosion or construction sites, winter sanding of roads, amount of daily traffic and land use can increase pollutant loading on the system. The first year of inspections can be used to set inspection and maintenance intervals for subsequent years. Without appropriate maintenance a BMP can exceed its storage capacity which can negatively affect its continued performance in removing and retaining captured pollutants.

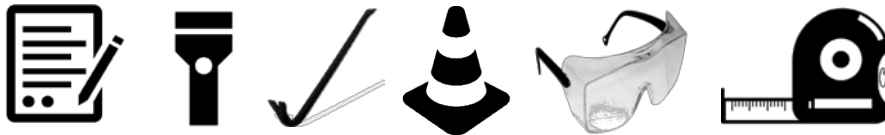


System Diagram:

Inspection Equipment

Following is a list of equipment to allow for simple and effective inspection of the SciCLONE™ Separator:

- Bio Clean Environmental Inspection Form (contained within this manual).
- Flashlight.
- Manhole hook or appropriate tools to remove access hatches and covers.
- Appropriate traffic control signage and procedures.
- Measuring pole and/or tape measure.
- Protective clothing and eye protection.
- Note: entering a confined space requires appropriate safety and certification. It is generally not required for routine inspections or maintenance of the system.



Inspection Steps

The core to any successful stormwater BMP maintenance program is routine inspections. The inspection steps required on the SciCLONE™ Separator are quick and easy. As mentioned above the first year should be seen as the maintenance interval establishment phase. During the first year more frequent inspections should occur in order to gather loading data and maintenance requirements for that specific site. This information can be used to establish a base for long-term inspection and maintenance interval requirements.

The SciCLONE™ Separator can be inspected though visual observation without entry into the system. All necessary pre-inspection steps must be carried out before inspection occurs, especially traffic control and other safety measures to protect the inspector and near-by pedestrians from any dangers associated with an open access hatch or manhole. Once these access covers have been safely opened the inspection process can proceed:

- Prepare the inspection form by writing in the necessary information including project name, location, date & time, unit number and other info (see inspection form).
- Observe the inside of the system through the access hatches. If minimal light is available and vision into the unit is impaired utilize a flashlight to see inside the system.
- Look for any out of the ordinary obstructions in the inflow pipe, sump chamber, or outflow pipe. Write down any observations on the inspection form.
- Through observation and/or digital photographs estimate the amount of floatable debris accumulated on the influent side of the oil/floatables skimmer. Record this information on the inspection form. Next utilizing a tape measure or measuring stick estimate the amount of sediment accumulated in the sump. Record this depth on the inspection form.

- Finalize inspection report for analysis by the maintenance manager to determine if maintenance is required.

Maintenance Indicators

Based upon observations made during inspection, maintenance of the system may be required based on the following indicators:

- Missing or damaged internal components.
- Obstructions in the system or its inlet or outlet.
- Excessive accumulation of floatable in the sump chambers in which the length and width of the chambers behind oil/floatables skimmer is fully impacted extending down more than 9”.
- Excessive accumulation of sediment in the sump chamber of more than 18” in depth.

Maintenance Equipment

It is recommended that a vacuum truck be utilized to minimize the time required to maintain the SciCLONE™ Separator:

- Bio Clean Environmental Maintenance Form (contained in O&M Manual).
- Flashlight.
- Manhole hook or appropriate tools to access hatches and covers.
- Appropriate traffic control signage and procedures.
- Protective clothing and eye protection.
- Note: entering a confined space requires appropriate safety and certification. It is generally not required for routine maintenance of the system.
- Vacuum truck (with pressure washer attachment preferred).

Maintenance Procedures

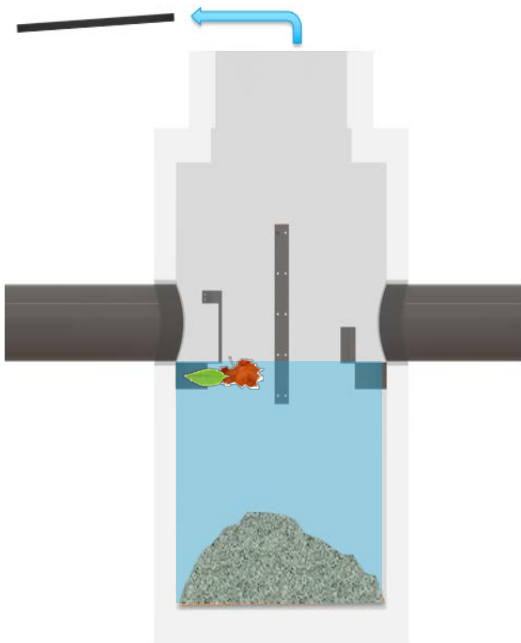
It is recommended that maintenance occurs at least three days after the most recent rain event to allow for drain down of any associated upstream detention systems. Maintaining the system while flows are still entering it will increase the time and complexity required for maintenance. Cleaning of the sump chamber can be performed from finish surface without entry into the vault utilizing a vacuum truck. Once all safety measures have been set up cleaning of the sump chamber can proceed as followed:

- Remove all access hatches (requires traffic control and safety measures to be completed prior).
- Using an extension on a vacuum truck position the hose over the opened access hatch and lower into the center of the sump chamber on the inlet side of the oil/floatables skimmer.

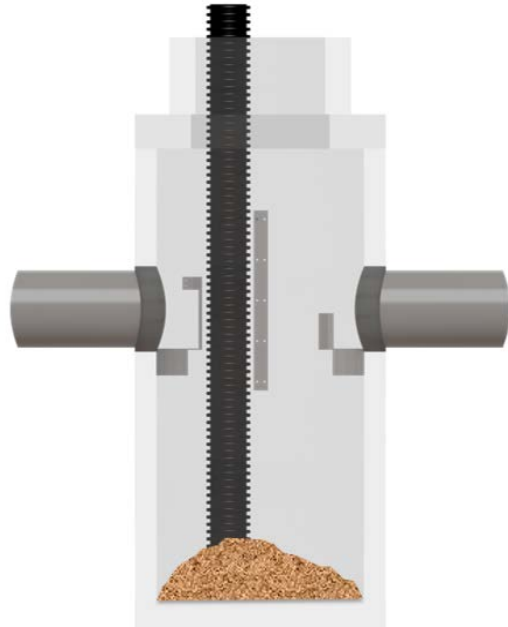
Remove all floating debris, standing water and sediment from the sump chamber. Access to the bottom of the sump chamber is unimpeded. The vac hose can be moved from side-to-side to fully remove sediments at the corners. A power washer can be used to assist if sediments have become hardened and stuck to the walls or the floor of the chamber. Repeat the same procedure on the effluent side of the oil/floatables skimmer to remove any remaining sediment. This completes the maintenance procedure required on the sump chamber and the SciCLONE™ Separator.

- The last step is to close up and replace all access hatches and remove all traffic control.
- All removed debris and pollutants shall be disposed of following local and state requirements.
- Disposal requirements for recovered pollutants may vary depending on local guidelines. In most areas the sediment, once dewatered, can be disposed of in a sanitary landfill. It is not anticipated that the sediment would be classified as hazardous waste.
- In the case of damaged components, replacement parts can be ordered by the manufacture.

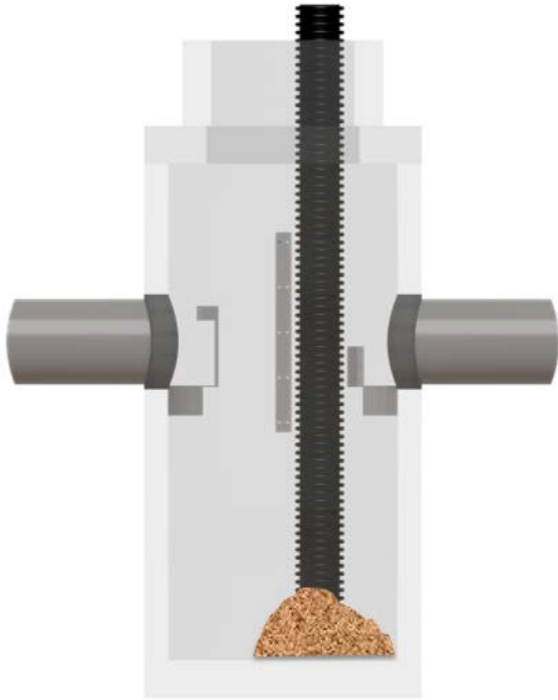
Maintenance Sequence



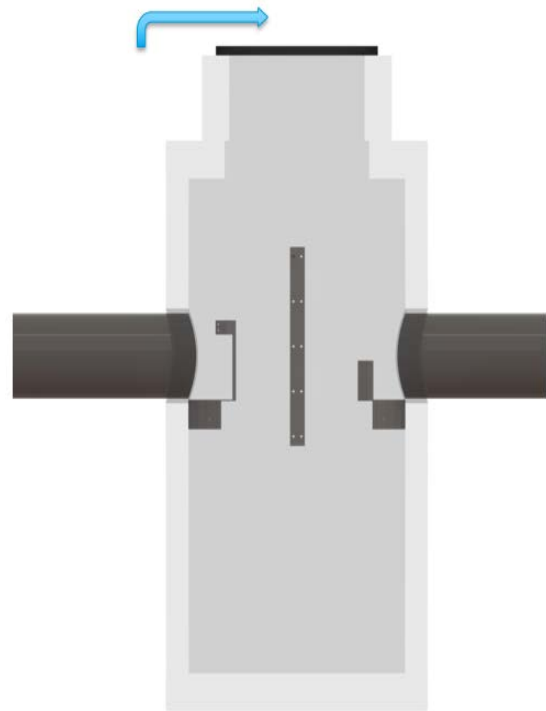
Remove Access Hatches Set Up Vacuum Truck to Clean the Sump Chamber.



Insert Vacuum Hose On the Inlet Side of the Oil/Floatables Skimmer and Vacuum Out All Trash, Sediment and Standing Water.



Insert Vacuum Hose On the Outlet Side of the Oil/Floatables Skimmer and Vacuum Out Any Remaining Sediment.



Replace Access Hatches and Remove Traffic Control and Safety Equipment.

For Maintenance Services or Information Please Contact Us At:
760-433-7640
Or Email: info@biocleanenvironmental.com

Project Name _____

Project Address _____ (city) (Zip Code)

Owner / Management Company _____

Contact _____ Phone () - _____

Inspector Name _____ Date ____ / ____ / _____ Time _____ AM / PM

Type of Inspection Routine Follow Up Complaint Stor Storm Event in Last 72-hours? No Yes

Weather Condition _____ Additional Notes _____

For Office Use Only
(Reviewed By)
(Date) Office personnel to complete section to the left.

Site Map #	GPS Coordinates of Vault	Model #	Oils and Floatables Accumulation on Inlet Side of Oil/Floatables Skimmers (lbs)	Sediment Accumulation In Sump Chamber (lbs) & Depth (inches)	Structural Notes	Operational Per Manufactures' Specifications (If not, why?)
	Lat: _____ Long: _____					
	Lat: _____ Long: _____					
	Lat: _____ Long: _____					

Comments:

