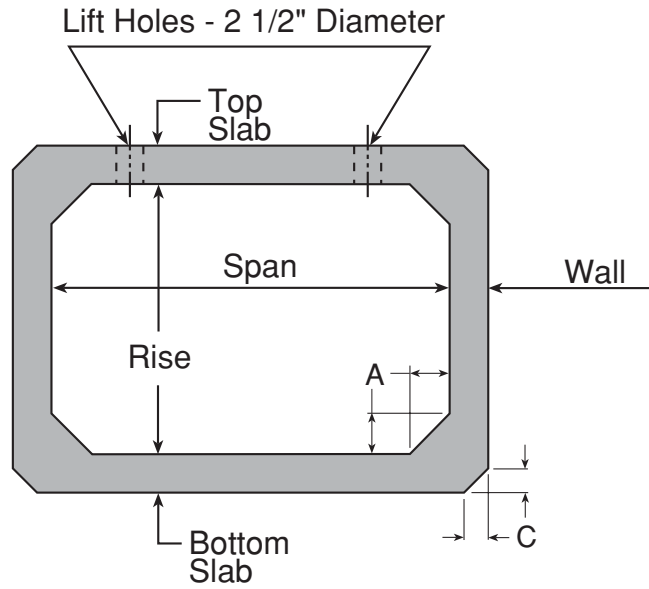


**FastCast™ Drycast
PreGasketed
Stormwater Storage**



Typical Section

Standard Box Dimensions					
Span (Ft.)	Rise (Ft.)	Top Slab (In.)	Bottom Slab (In.)	Wall (In.)	Weight (Lbs./ft.)
3	2	7	6	4	848
3	3	7	6	4	952
4	2	7 1/2	6	5	1146
4	3	7 1/2	6	5	1276
4	4	7 1/2	6	5	1405
5	2	8	7	6	1541
5	3	8	7	6	1696
5	4	8	7	6	1851
5	5	8	7	6	2006
6	2	8	7	7	1821
6	3	8	7	7	2002
6	4	8	7	7	2183
6	5	8	7	7	2364
6	6	8	7	7	2545
7	2	8	8	8	2238
7	3	8	8	8	2446
7	4	8	8	8	2652
7	5	8	8	8	2859
7	6	8	8	8	3066
7	7	8	8	8	3272

Standard Box Dimensions					
Span (Ft.)	Rise (Ft.)	Top Slab (In.)	Bottom Slab (In.)	Wall (In.)	Weight (Lbs./ft.)
8	3	8	8	8	2652
8	4	8	8	8	2859
8	5	8	8	8	3066
8	6	8	8	8	3272
8	7	8	8	8	3479
8	8	8	8	8	3686
9	4	9	9	9	3511
9	5	9	9	9	3744
9	6	9	9	9	3976
9	7	9	9	9	4209
9	8	9	9	9	4441
9	9	9	9	9	4674
10	4	10	10	10	4228
10	5	10	10	10	4486
10	6	10	10	10	4745
10	7	10	10	10	5003
10	8	10	10	10	5261
10	9	10	10	10	5520
10	10	10	10	10	5778

Standard Box Dimensions					
Span (Ft.)	Rise (Ft.)	Top Slab (In.)	Bottom Slab (In.)	Wall (In.)	Weight (Lbs./ft.)
11	4	11	11	11	5010
11	5	11	11	11	5294
11	6	11	11	11	5578
11	7	11	11	11	5862
11	8	11	11	11	6146
11	9	11	11	11	6430
11	10	11	11	11	6715
11	11	11	11	11	6999
12	4	12	12	12	5856
12	5	12	12	12	6166
12	6	12	12	12	6476
12	7	12	12	12	6786
12	8	12	12	12	7096
12	9	12	12	12	7406
12	10	12	12	12	7716
12	11	12	12	12	8026
12	12	12	12	12	8336

- Note:**
- A = Wall thickness
 - C = 2" for 4", 5" and 6" wall
 - C = 4" for 7" and greater wall
 - Contact manufacturer for standard joint lengths.

-No Scale-
All dimensions subject to allowable specification tolerances.

TITLE	PLANT	STATE	SECTION/PAGE	DATE
Reinforced Concrete Precast Box Section	Grand Prairie Houston	TX	11-11-11 11-11-11	F1-FG11

