

# BIO CLEAN FULL CAPTURE FILTER WITH TROUGH SYSTEM

## FOR USE IN CURB INLETS

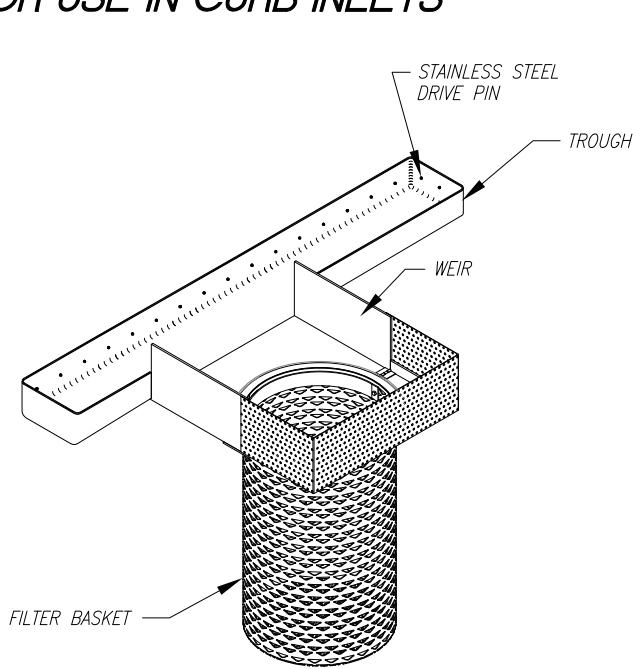


FIGURE 1:  
DETAIL OF PARTS

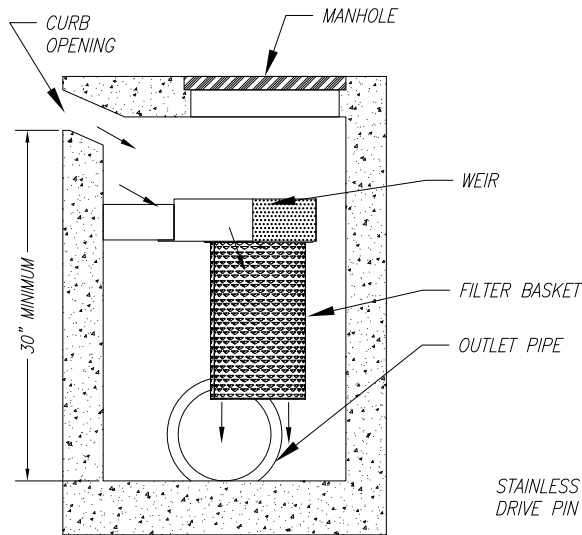


FIGURE 4:  
DETAIL OF PROFILE

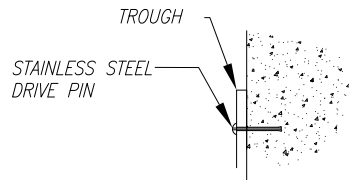


FIGURE 3:  
DETAIL OF MOUNTING

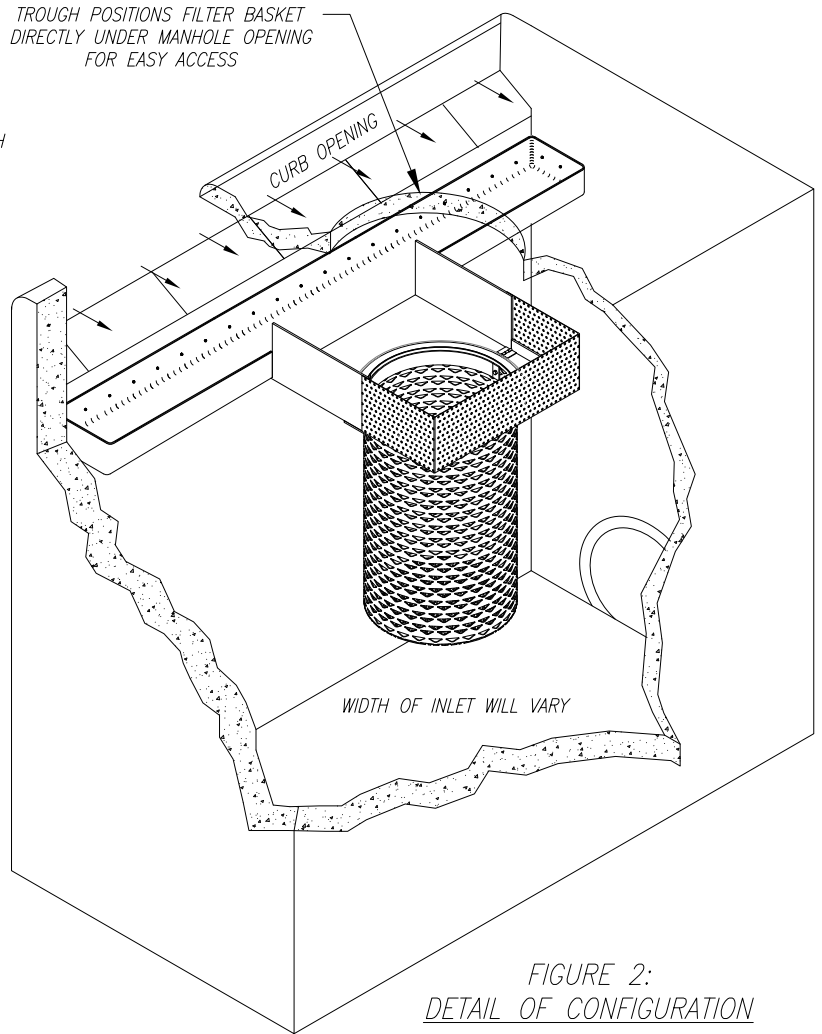


FIGURE 2:  
DETAIL OF CONFIGURATION

### NOTES:

1. TROUGH SYSTEM PROVIDES FOR ENTIRE COVERAGE OF INLET OPENING SO TO DIVERT ALL FLOW TO FILTER.
2. TROUGH SYSTEM MANUFACTURED FROM MARINE GRADE FIBERGLASS, GEL COATED FOR UV PROTECTION.
3. SYSTEM ATTACHED TO THE CATCH BASIN WITH NON-CORROSIVE HARDWARE.
4. FILTER MANUFACTURED OF 100% STAINLESS STEEL.
5. FILTER MADE OF NON-CLOGGIN SCREEN WITH 4.7 MM OPENINGS AND MEETS FULL CAPTURE REQUIREMENTS.
6. FILTER CAN BE FITTED WITH HYDROCARBON ABSORBENT BOOM
7. FILTER IS LOCATED DIRECTLY UNDER THE MANHOLE FOR EASY REMOVAL AND MAINTENANCE.
8. LENGTH OF TROUGH CAN VARY FROM 2' TO 30'
9. OTHER STANDARD AND CUSTOM MODEL SIZES AVAILABLE - CONTACT BIO CLEAN FOR MORE INFORMATION.
10. CONSIDERS A SAFETY FACTOR OF 2.0
11. BYPASS IS FACILITATED VIA OVERFLOW OF THE TROUGH SYSTEM AND IS EQUAL TO THE CAPACITY OF THE CURB OPENING
12. STORAGE CAPACITY BASED ON THE BASKET HALF FULL.
13. ADDITIONAL TREATMENT AND STORAGE CAPACITY CAN BE ACHIEVED BY UTILIZING MULTIPLE FILTER BASKETS.

MODEL NUMBER	TREATMENT FLOW (cfs)*	SOLIDS STORAGE CAPACITY (cu ft)
BC-CURB-FC-30	2.85	2.21
BC-CURB-FC-24	2.85	1.77
BC-CURB-FC-18	2.85	1.33
BC-CURB-FC-12	2.85	0.88

\*SEE PAGE 2 FOR EXPLANATION OF FLOW RATES

DRAWING: BIO CLEAN CURB INLET FILTER DETAILS		MEETS FULL CAPTURE REQUIREMENTS	
TREATMENT FLOW RATE: 2.85 cfs		MODEL #: BC-CURB-FC	
WARRANTY: 5 YEAR MANUFACTURERS		PROJECT:	
BIO CLEAN ENVIRONMENTAL SERVICES, INC. 398 VIA EL CENTRO, OCEANSIDE CA 92058 PHONE: 760-433-7640 FAX: 760-433-3176		REVISIONS:	DATE:
DATE: 10/12/2017	SCALE: NTS	REVISIONS:	DATE:
DRAFTER: M.C.P.	UNITS = INCHES	REVISIONS:	DATE:

**Bio Clean**  
A Forterra Company

# MODEL # BC-CURB-FC FILTER

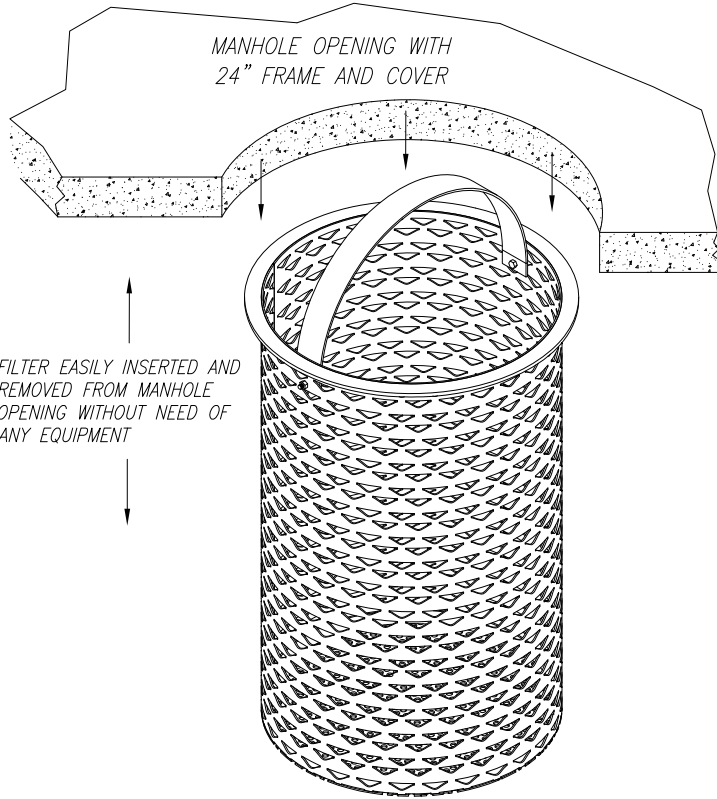


FIGURE 1:  
DETAIL OF INSTALLATION

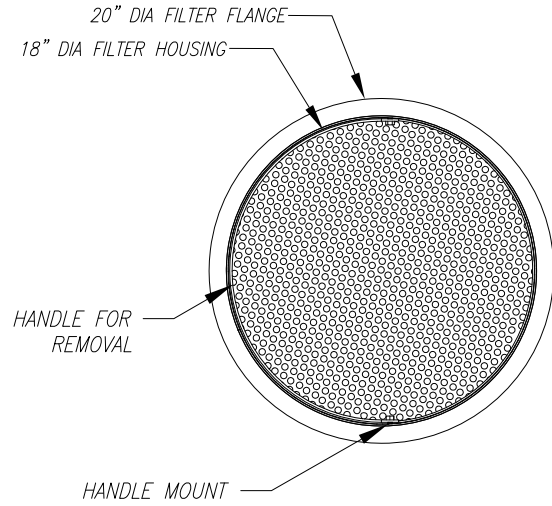


FIGURE 2:  
DETAIL OF DIAMETERS

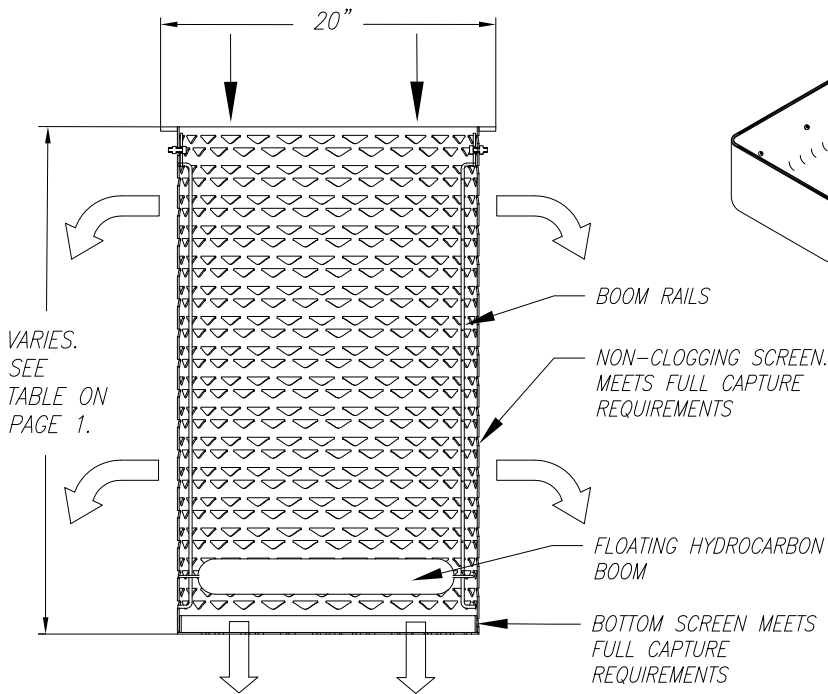


FIGURE 3:  
DETAIL OF PARTS

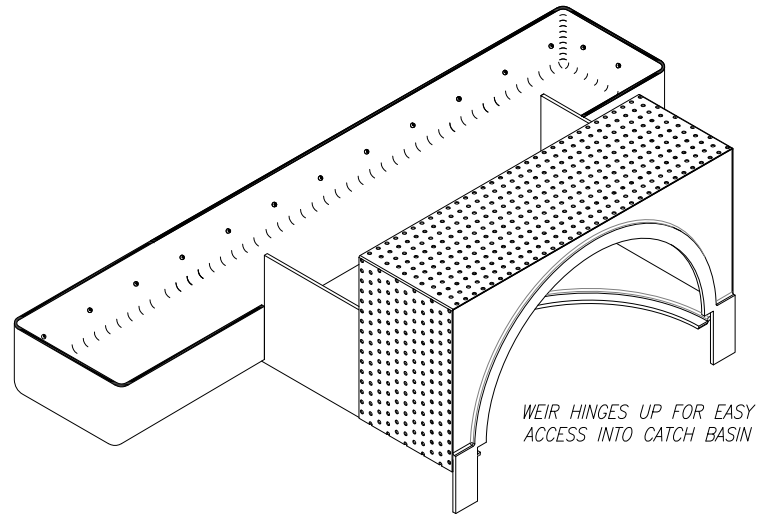


FIGURE 4:  
DETAIL OF WEIR

FLOW RATES - CURB FILTER		
TREATMENT FLOW RATE	2.85 cfs	SAFETY FACTOR OF 2X
*TREATMENT FLOW RATE IS BASED ON THE CRITICAL POINT OF RESTRICTION, WHICH IS EITHER THE WEIR OR THE SCREEN		WEIR CAPACITY=2.85 CFS SCREEN CAPACITY=4.82 CFS CAPACITIES.
**FLOW RATES CALCULATED USING THE FOLLOWING EQUATION		
$Q = S_0 * c_d * A \sqrt{2 * g * h}$		$c_d = \text{COEFFICIENT OF DISCHARGE} = .62$

DRAWING: BC-CURB-FC FILTER	MEETS FULL CAPTURE REQUIREMENTS	SEE PAGE 1 FOR NOTES
TREATMENT FLOW RATE: 2.85 cfs	MODEL #: BC-CURB-FC	
WARRANTY: 5 YEAR MANUFACTURERS	PROJECT:	
BIO CLEAN ENVIRONMENTAL SERVICES, INC. 398 VIA EL CENTRO, OCEANSIDE CA 92058 PHONE: 760-433-7640 FAX: 760-433-3176	REVISIONS:	DATE:
DATE: 10/12/2017	REVISIONS:	DATE:
DRAFTER: M.C.P.	REVISIONS:	DATE:
SCALE: NTS	UNITS = INCHES	



# BIO CLEAN FULL CAPTURE FILTER WITH TROUGH SYSTEM

FOR USE IN CURB INLETS WITH WINGS

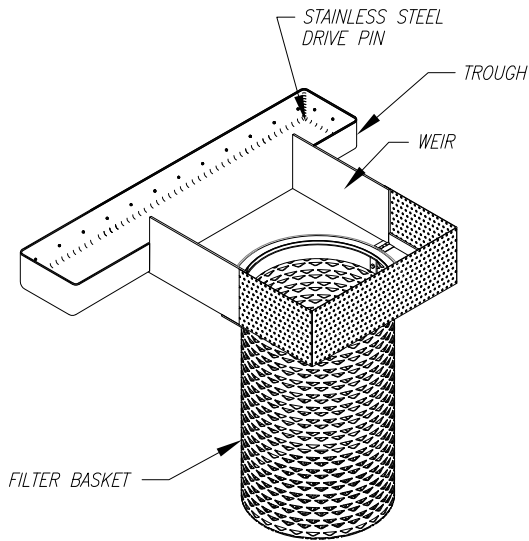


FIGURE 1:  
DETAIL OF PARTS

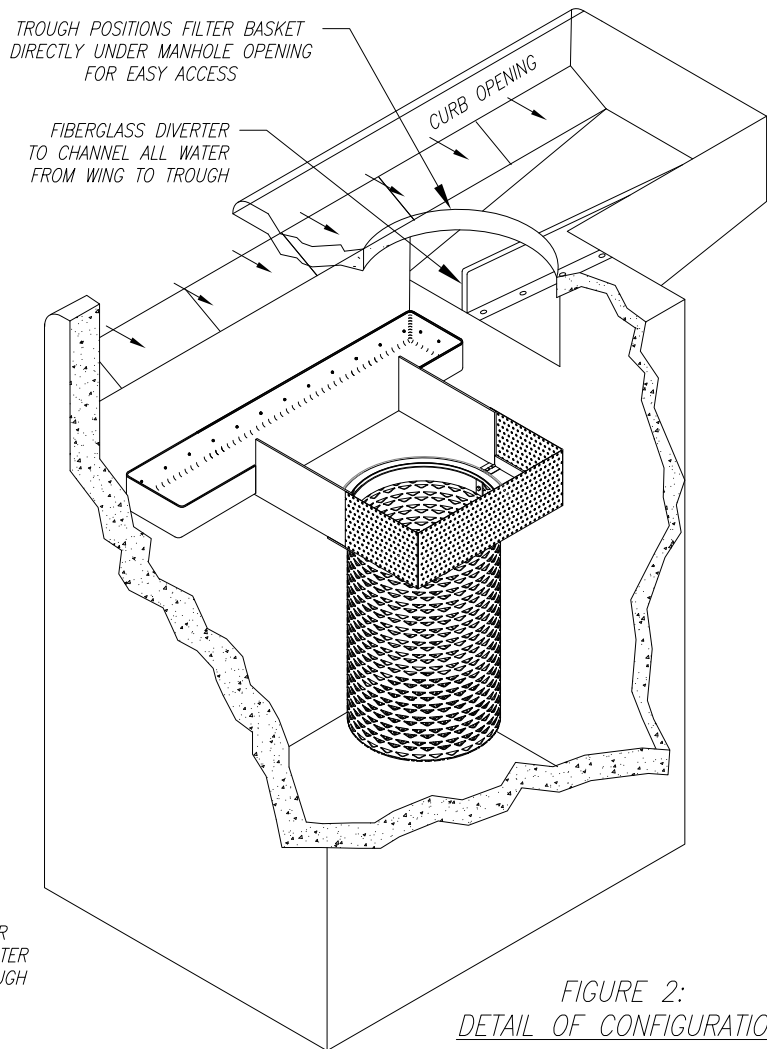


FIGURE 2:  
DETAIL OF CONFIGURATION

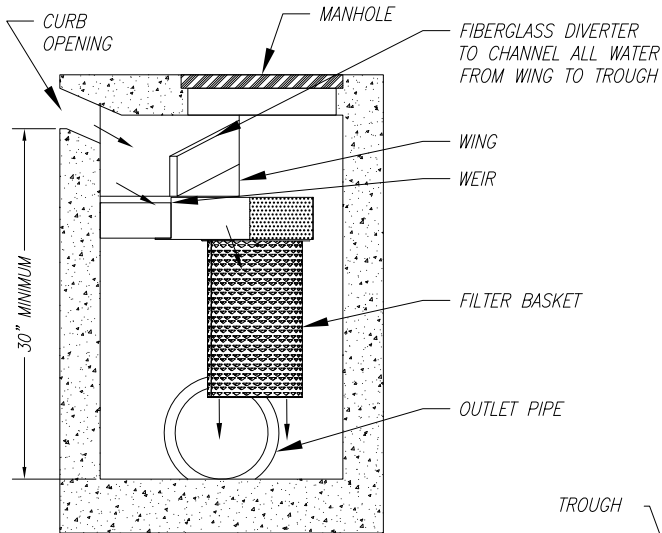


FIGURE 4:  
DETAIL OF PROFILE

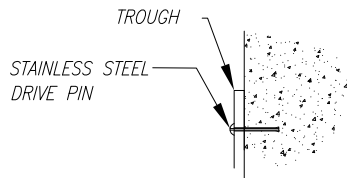


FIGURE 3:  
DETAIL OF MOUNTING

NOTES:

1. TROUGH SYSTEM PROVIDES FOR ENTIRE COVERAGE OF INLET OPENING SO TO DIVERT ALL FLOW TO FILTER.
2. TROUGH SYSTEM MANUFACTURED FROM MARINE GRADE FIBERGLASS, GEL COATED FOR UV PROTECTION.
3. SYSTEM ATTACHED TO THE CATCH BASIN WITH NON-CORROSIVE HARDWARE.
4. FILTER MANUFACTURED OF 100% STAINLESS STEEL.
5. FILTER MADE OF NON-CLOGGING SCREEN WITH 4.7 MM OPENINGS AND MEETS FULL CAPTURE REQUIREMENTS.
6. FILTER CAN BE FITTED WITH HYDROCARBON ABSORBENT BOOM
7. FILTER IS LOCATED DIRECTLY UNDER THE MANHOLE FOR EASY REMOVAL AND MAINTENANCE.
8. LENGTH OF TROUGH CAN VARY FROM 2' TO 30'
9. OTHER STANDARD AND CUSTOM MODEL SIZES AVAILABLE - CONTACT BIO CLEAN FOR MORE INFORMATION.
10. CONSIDERS A SAFETY FACTOR OF 2.0
11. BYPASS IS FACILITATED VIA OVERFLOW OF THE TROUGH SYSTEM AND IS EQUAL TO THE CAPACITY OF THE CURB OPENING
12. STORAGE CAPACITY BASED ON THE BASKET HALF FULL.
13. ADDITIONAL TREATMENT AND STORAGE CAPACITY CAN BE ACHIEVED BY UTILIZING MULTIPLE FILTER BASKETS.

DRAWING: BIO CLEAN CURB INLET FILTER DETAILS		MEETS FULL CAPTURE REQUIREMENTS	
TREATMENT FLOW RATE: 2.85 cfs		MODEL #: BC-CURB-FC	
WARRANTY: 5 YEAR MANUFACTURERS		PROJECT:	
BIO CLEAN ENVIRONMENTAL SERVICES, INC. 398 VIA AL CENTRO, OCEANSIDE CA 92058 PHONE: 760-433-7640 FAX: 760-433-3176		REVISIONS:	DATE:
DATE: 10/12/2017	SCALE: NTS	REVISIONS:	DATE:
DRAFTER: M.C.P.	UNITS = INCHES	REVISIONS:	DATE:

**Bio Clean**  
A Forterra Company