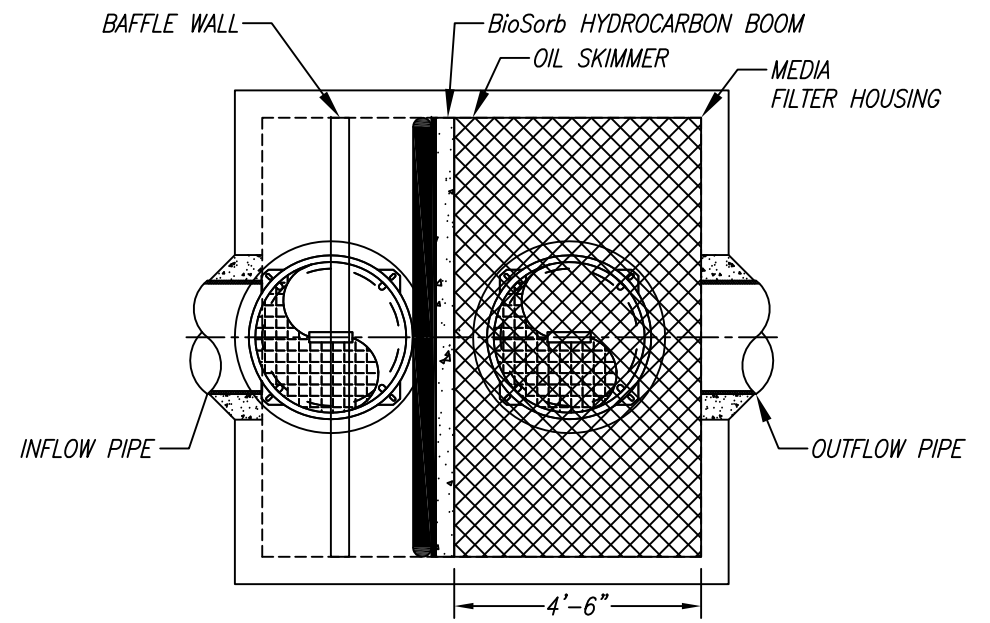


SITE SPECIFIC DATA*			
PROJECT NUMBER			
PROJECT NAME			
PROJECT LOCATION			
STRUCTURE ID			
WATER QUALITY FLOW RATE (CFS)			
PEAK FLOW RATE (CFS)			
PEAK STORM DURATION (YEARS)			
PIPE DATA	I.E.	MATERIAL	DIAMETER
INLET PIPE 1			
OUTLET PIPE 1			
RIM ELEVATION			
SURFACE LOADING REQUIREMENT			
FRAME AND COVER		ø30"	
CORROSIVE SOIL CONDITIONS			
KNOWN GROUNDWATER ELEVATION			
NOTES:			
*PER ENGINEER OF RECORD			

WP PERFORMANCE DATA				
TREATMENT FLOW RATE (CFS)			0.87	
MEDIA SURFACE AREA (SF)			36	
LOADING RATE (GPM/SF)			-	
SEDIMENT STORAGE CAPACITY (CF)			90.76	
WP STORAGE CAPACITIES				
SEDIMENT CHAMBER CAPACITY				
	LENGTH (FT)	WIDTH (FT)	HEIGHT (FT)	TOTAL (CF)
CHAMBER 1	1.25	8.00	3.94	39.40
CHAMBER 2	6.42	8.00	1.00	51.36



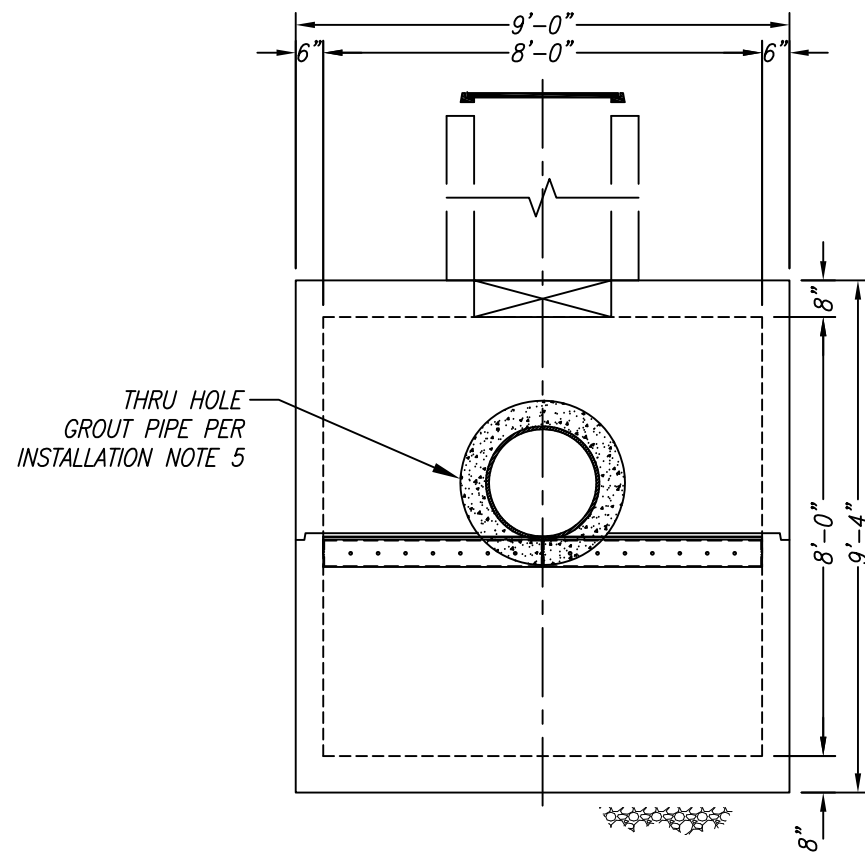
PLAN VIEW  
NTS

**GENERAL NOTES**

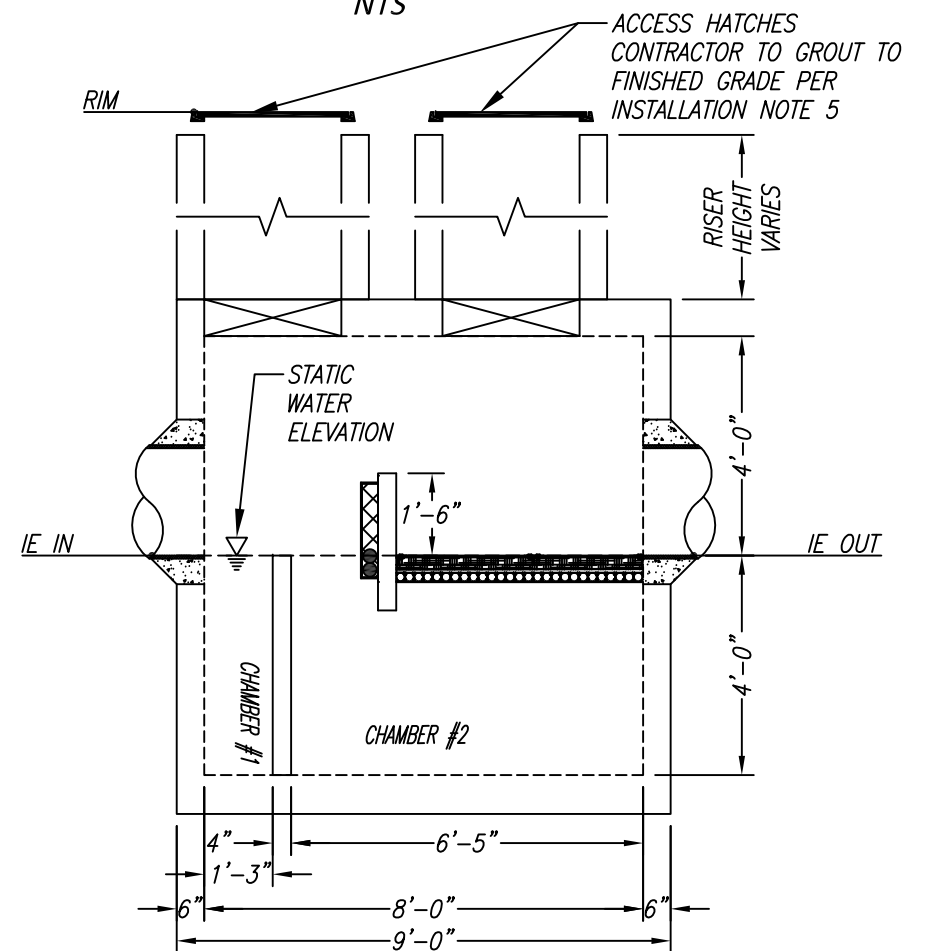
- BIO CLEAN TO PROVIDE ALL MATERIALS UNLESS OTHERWISE NOTED.
- ALL DIMENSIONS, ELEVATIONS, SPECIFICATIONS, AND CAPACITIES ARE SUBJECT TO CHANGE. FOR PROJECT SPECIFIC DRAWINGS DETAILING EXACT DIMENSIONS, WEIGHTS, AND ACCESSORIES PLEASE CONTACT BIO CLEAN.

**INSTALLATION NOTES**

- CONTRACTOR TO PROVIDE ALL LABOR, EQUIPMENT, MATERIALS, AND INCIDENTALS REQUIRED TO OFFLOAD AND INSTALL THE NSBB UNIT AND APPURTENANCES IN ACCORDANCE WITH THIS DRAWING AND THE MANUFACTURERS SPECIFICATIONS, UNLESS OTHERWISE STATED IN MANUFACTURERS CONTRACT.
- MANUFACTURER RECOMMENDS A 6"-12" LEVEL ROCK BASE UNLESS SPECIFIED BY THE PROJECT ENGINEER. CONTRACTOR IS RESPONSIBLE TO VERIFY PROJECT ENGINEERS RECOMMENDED BASE SPECIFICATIONS.
- ALL PIPES MUST BE FLUSH WITH INSIDE SURFACE OF CONCRETE. (PIPES CANNOT INTRUDE BEYOND FLUSH).
- ALL GAPS AROUND PIPES SHALL BE SEALED WATER TIGHT WITH A NON-SHRINK GROUT PER MANUFACTURERS STANDARD CONNECTION DETAIL AND SHALL MEET OR EXCEED REGIONAL PIPE CONNECTION STANDARDS.
- CONTRACTOR RESPONSIBLE FOR INSTALLATION OF ALL RISERS, MANHOLES, AND HATCHES. ALL COVERS SHALL BE SHIPPED LOOSE. CONTRACTOR TO GROUT ALL MANHOLES AND HATCHES TO MATCH FINISHED SURFACE UNLESS SPECIFIED OTHERWISE.



END VIEW  
NTS



ELEVATION VIEW  
NTS

7/9/15JUSTIN

PROPRIETARY AND CONFIDENTIAL:

THE INFORMATION CONTAINED IN THIS DRAWING IS THE SOLE PROPERTY OF BIO CLEAN ENVIRONMENTAL SERVICES, INC. ANY REPRODUCTION IN PART OR AS A WHOLE WITHOUT THE WRITTEN PERMISSION OF BIO CLEAN ENVIRONMENTAL SERVICES, INC. IS PROHIBITED.



biocleanenvironmental.com  
P 760.433.7640 F 760.433.3176

**WP-8-8**  
WATER POLISHER-UP FLOW MEDIA FILTER  
STANDARD DETAIL