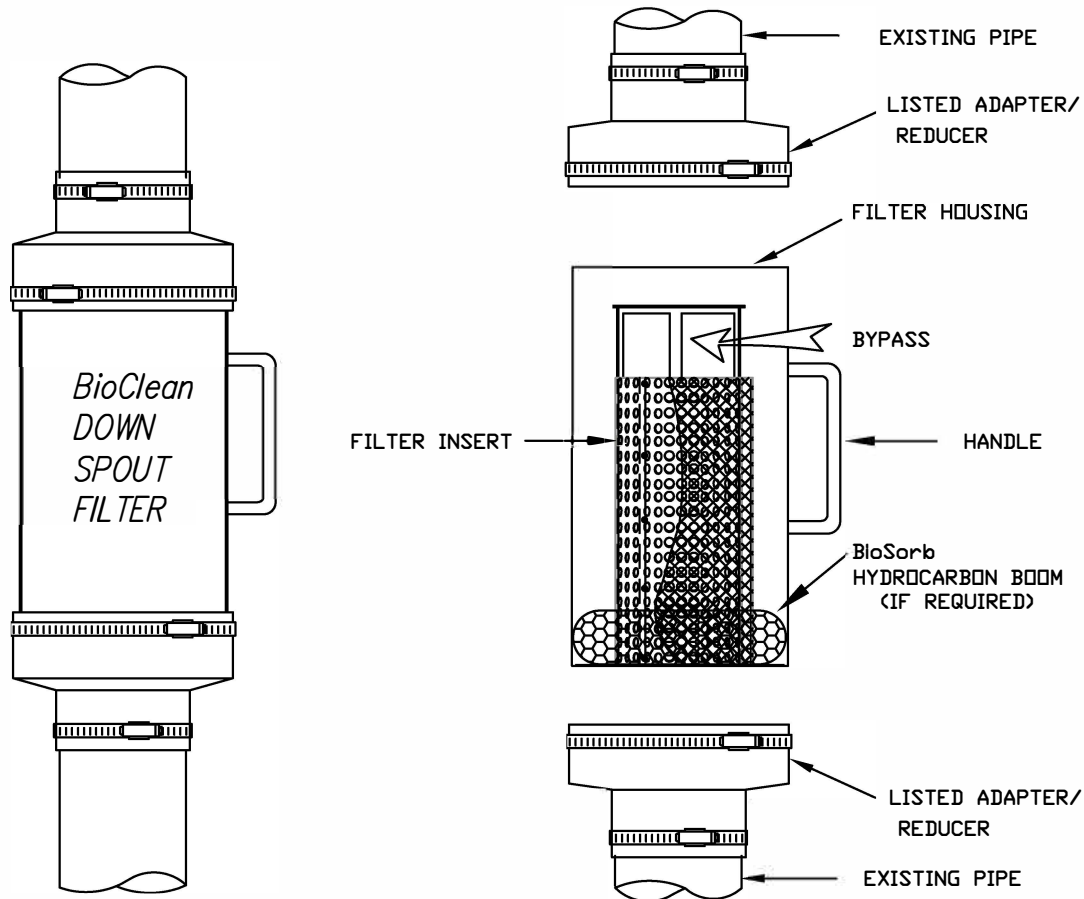


INSTALLATION MANUAL- 6 In.

Bio Clean DOWNSPOUT FILTER



DETAIL OF PARTS

TOOLS AND EQUIPMENT NEEDED:

1. Medium size flat screw driver
2. Gas powered demo or cut-off saw with abrasive blade and pipe wrap
3. Permanent marker
4. Anchor strap by others

Downspout filter comes pre-assembled.

Adapts to 2" and 4" downspouts.

NOTES

1. The device shall be sized according to the nominal size of the interconnecting drainage system. At no time shall the entrance size be larger than the exit size.
2. The device shall be installed in an accessible location to provide for means of repair and maintenance
3. The device shall be installed using approved adapters or couplings to attach the device to the downspout or drain. The fittings shall be tightened to manufacturers specification of 60 in-lbs.



A Forterra Company

P.O. BOX 869, Oceanside, Ca. 92049
(760) 433-7640 Fax (760) 433-3176
www.biocleanenvironmental.net

STARTING INSTALLATION - CUTTING OUT PIPE SECTION

CEILING

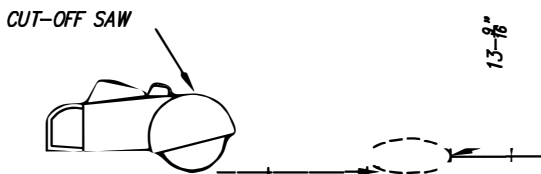
BEFORE STARTING CHOOSE
DESIRED INSTALL LOCATION.

(INSTALL HEIGHT WILL VARY
DEPENDING ON EXISTING CONDITIONS.)

DOWNSPOUT PIPE

STEP 1. INSTALL ANCHOR STRAP
BY OTHERS 6 INCHES
ABOVE WHERE PIPE
WILL BE CUT.

STEP 3. MARK UPPER CUT LINE. USE GAS POWERED
DEMO OR CUT-OFF SAW TO CUT PIPE.
(SAW CUTS SHOULD BE PERPENDICULAR TO PIPE)



STEP 4. MARK LOWER CUT LINE 18" BELOW UPPER CUT LINE.
USE GAS POWERED DEMO OR CUT-OFF SAW TO CUT
OUT PIPE SECTION.

STEP 2. INSTALL ANCHOR STRAP
BY OTHERS 6 INCHES
BELOW WHERE PIPE
WILL BE CUT.

EXISTING
BUILDING

FLOOR

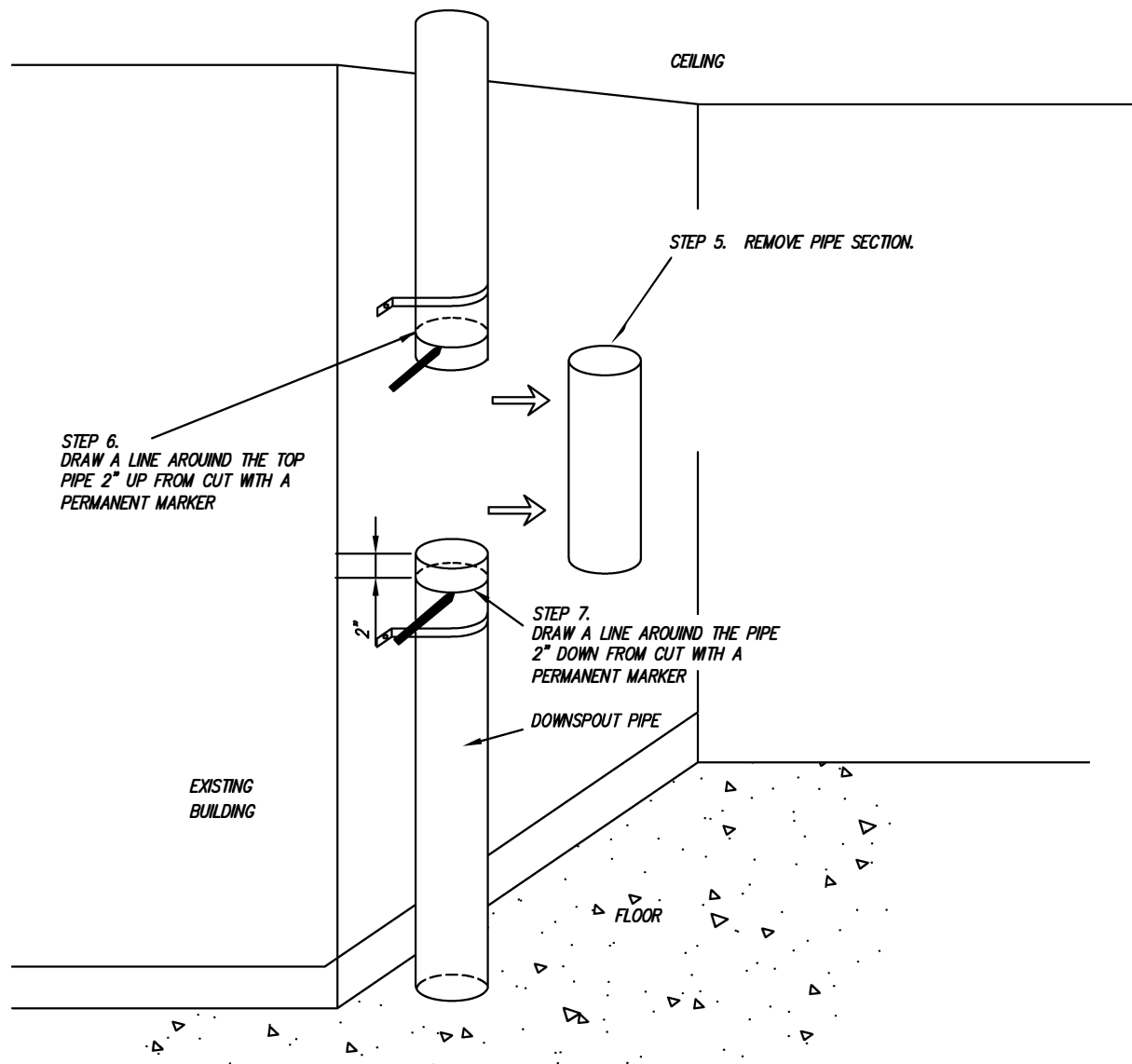
NOTES

1. The device shall be sized according to the nominal size of the interconnecting drainage system. At no time shall the entrance size be larger than the exit size.
2. The device shall be installed in an accessible location to provide for means of repair and maintenance.
3. The device shall be installed using approved adapters or couplings to attach the device to the downspout or drainage pipe. The fittings shall be tightened to manufacturers specification of 60 in-lbs.

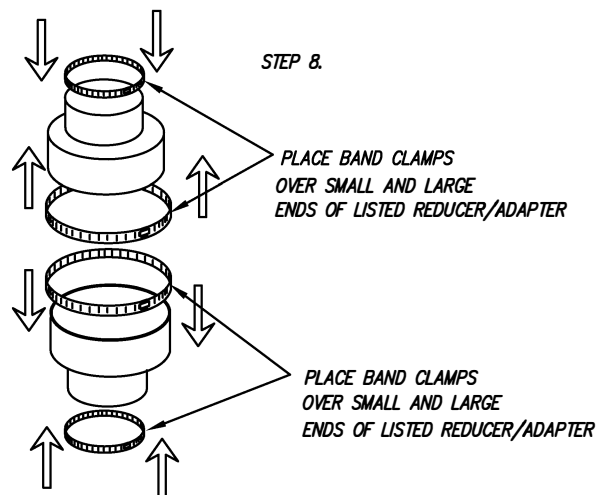
Bio Clean

A Forterra Company

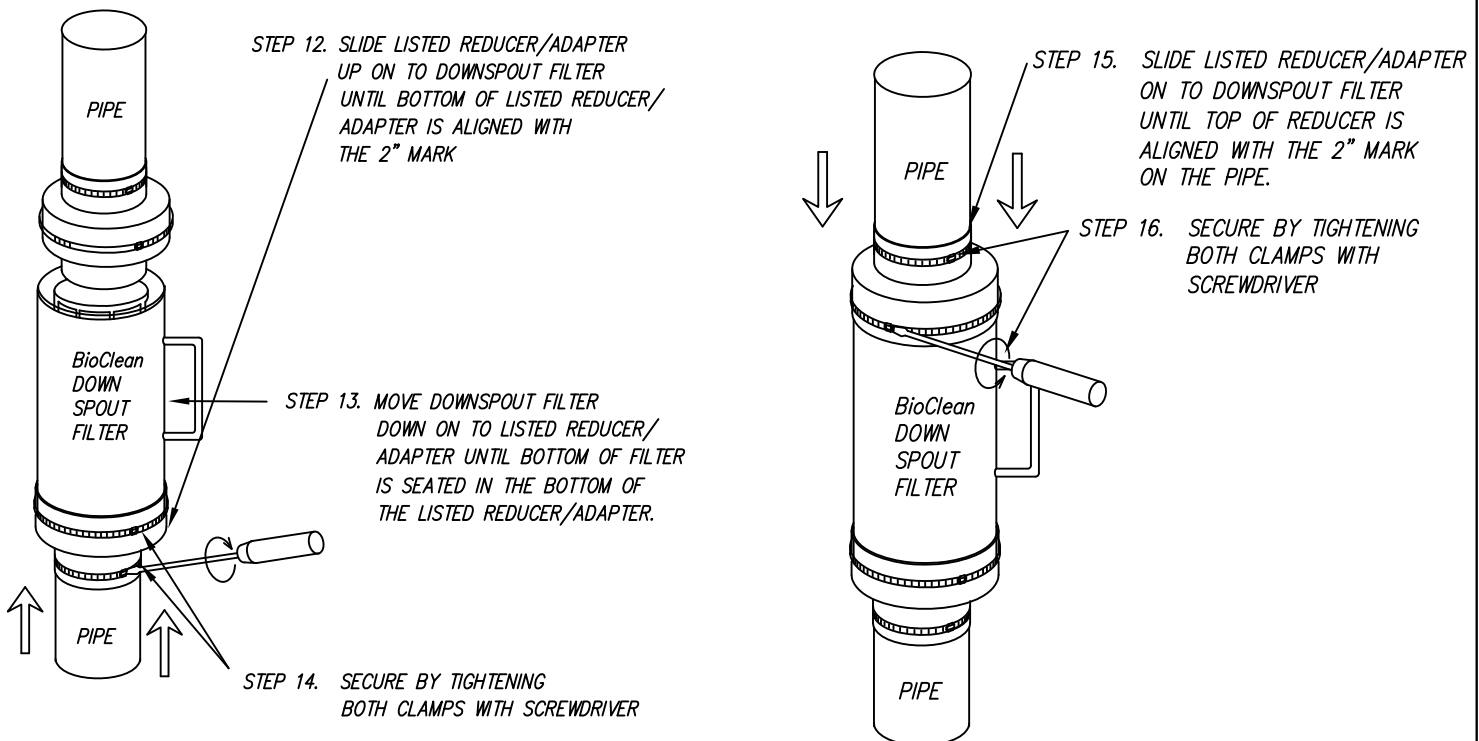
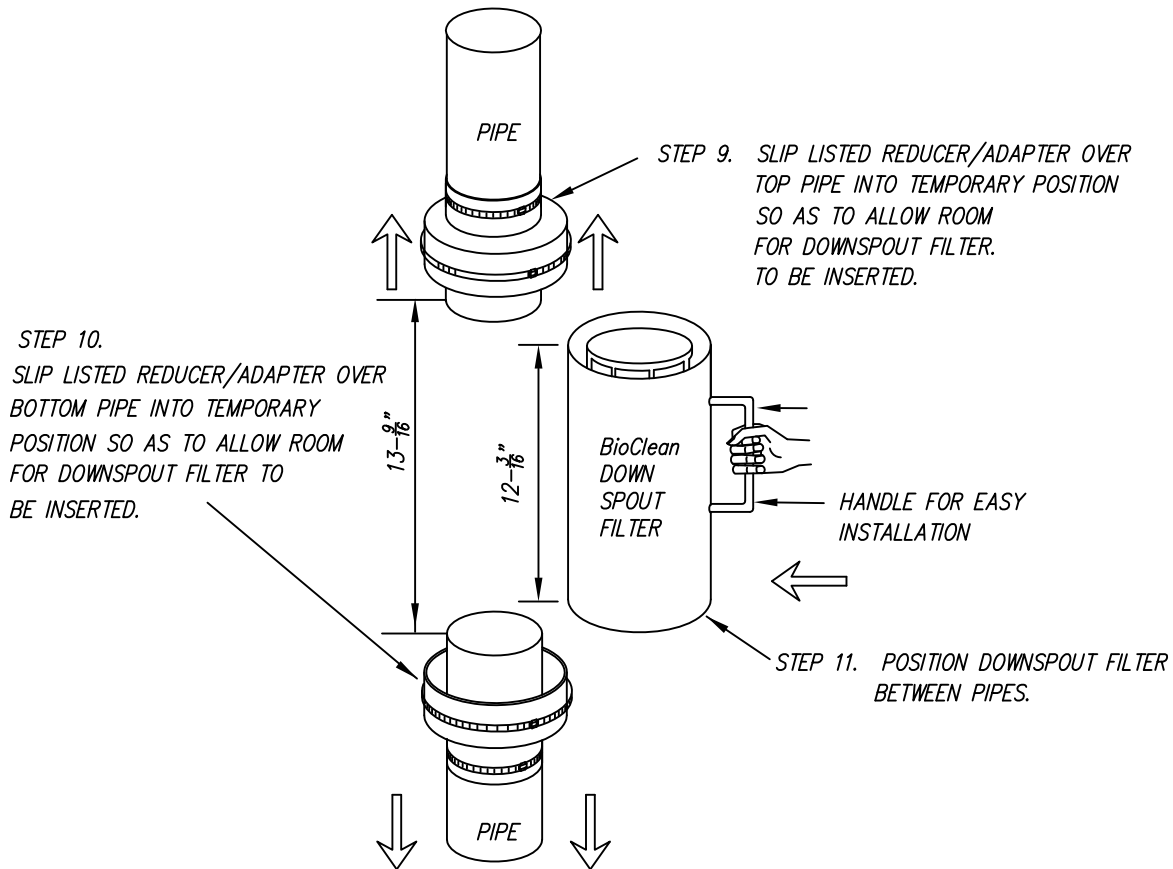
P.O. BOX 869, Oceanside, Ca. 92049
(760) 433-7640 Fax (760) 433-3176
www.biocleanenvironmental.net



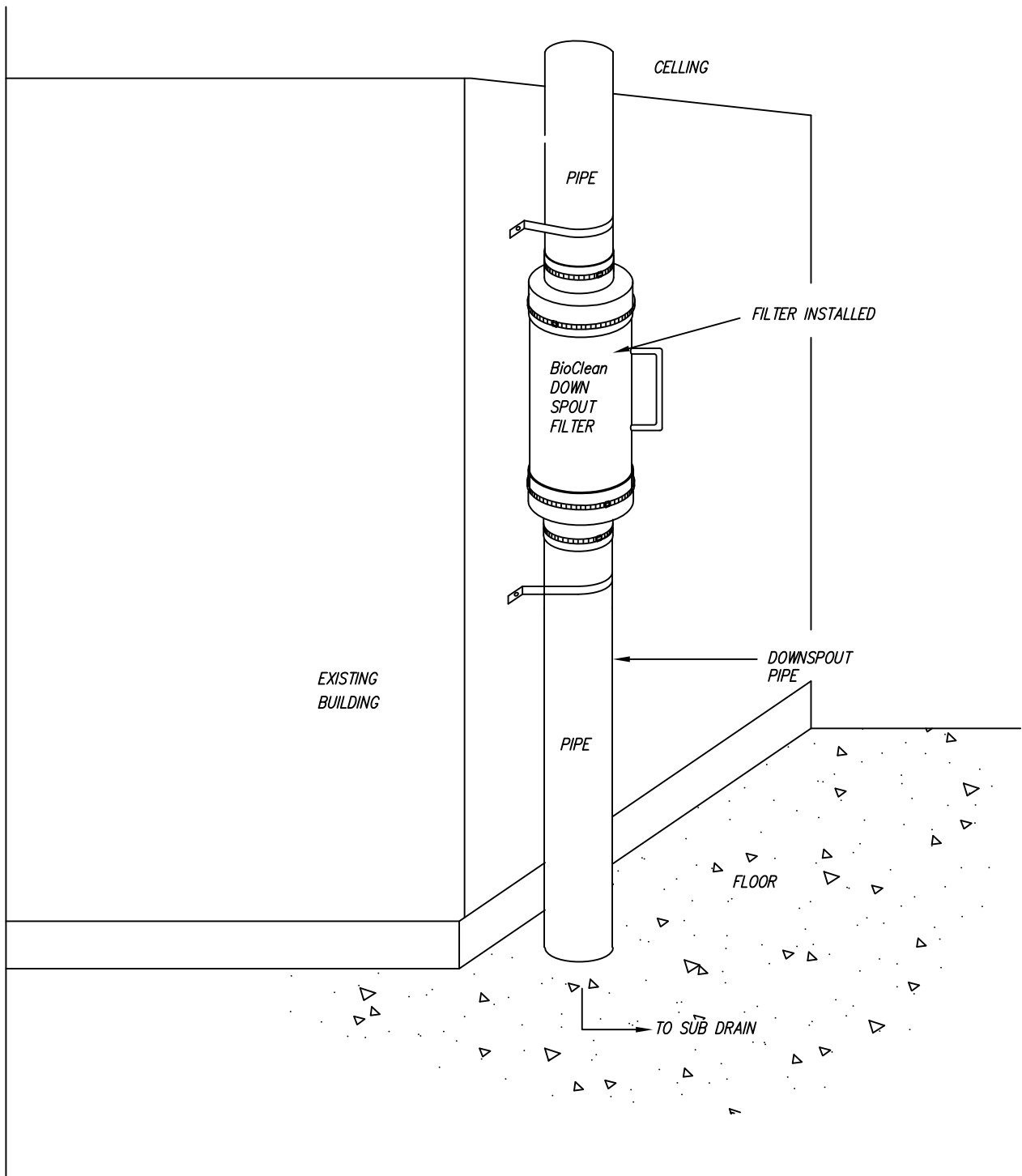
PREPARING LISTED REDUCERS/ADAPTERS



INSTALLING DOWNSPOUT FILTER



TYPICAL DOWNSPOUT FILTER INSTALLED (FOR EXAMPLE, INSIDE PARKING STRUCTURE)



NOTES

1. The device shall be sized according to the nominal size of the interconnecting drainage system. At no time shall the entrance size be larger than the exit size.
2. The device shall be installed in an accessible location to provide for means of repair and maintenance.
3. The device shall be installed using approved adapters or couplings to attach the device to the downspout or drainage pipe. The fittings shall be tightened to manufacturers specification of 60 in-lbs.

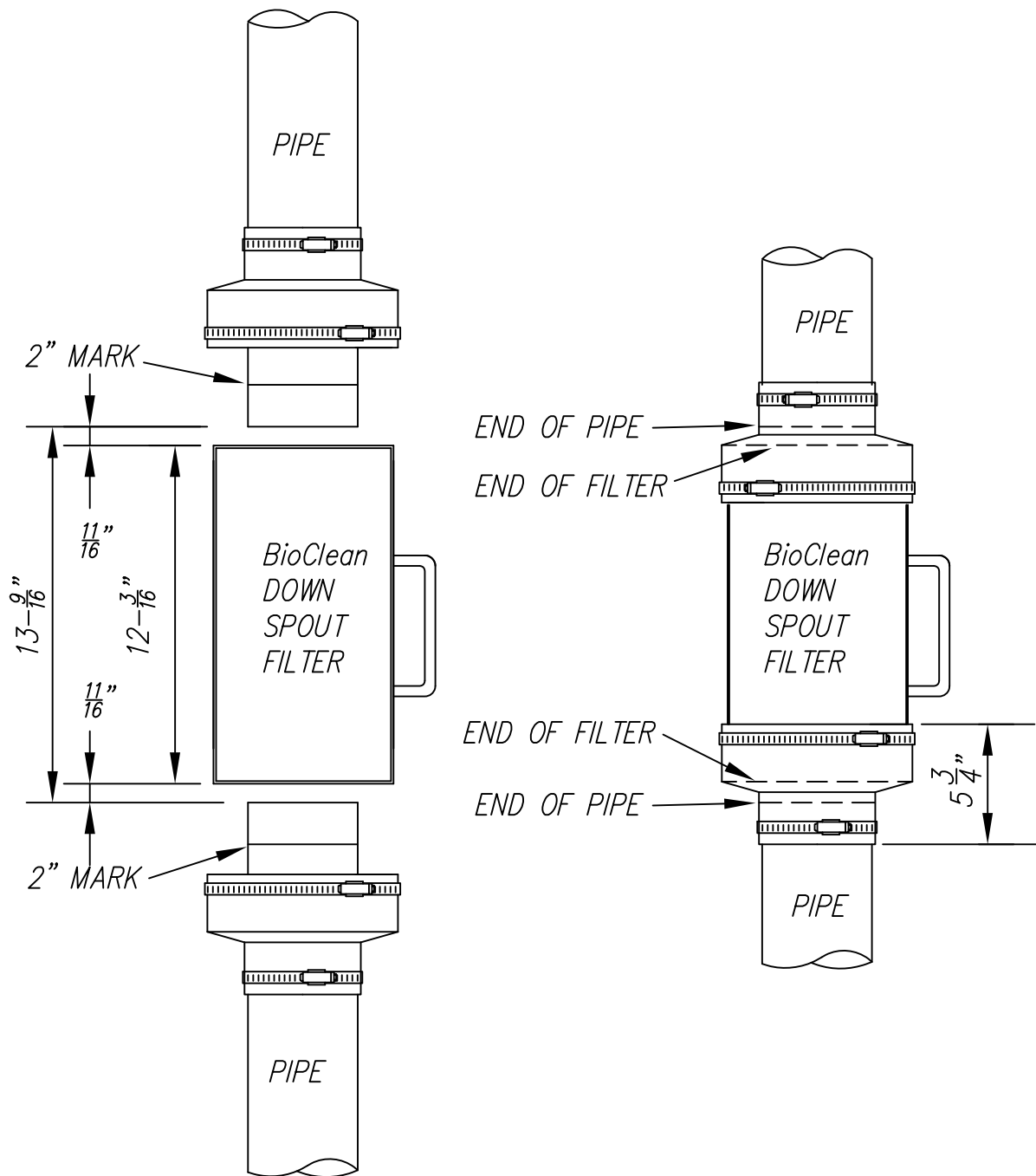


A Forterra Company

P.O. BOX 869, Oceanside, Ca. 92049
(760) 433-7640 Fax (760) 433-3176
www.biocleanenvironmental.net

APPROPRIATE FILTER POSITIONING

FILTER CENTERED BETWEEN PIPES WITH EVEN GAPS ON TOP AND BOTTOM



NOTES

1. The device shall be sized according to the nominal size of the interconnecting drainage system. At no time shall the entrance size be larger than the exit size.
2. The device shall be installed in an accessible location to provide for means of repair and maintenance.
3. The device shall be installed using approved adapters or couplings to attach the device to the downspout or drainage pipe. The fittings shall be tightened to manufacturers specification of 60 in-lbs.



A Forterra Company

P.O. BOX 869, Oceanside, Ca. 92049
(760) 433-7640 Fax (760) 433-3176
www.biocleanenvironmental.net