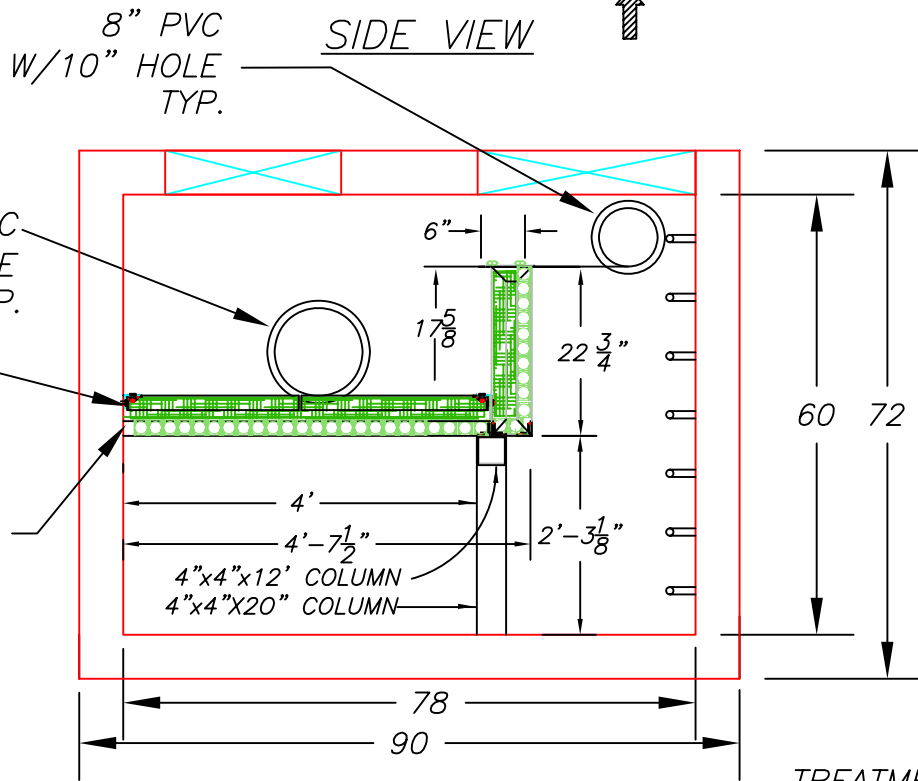
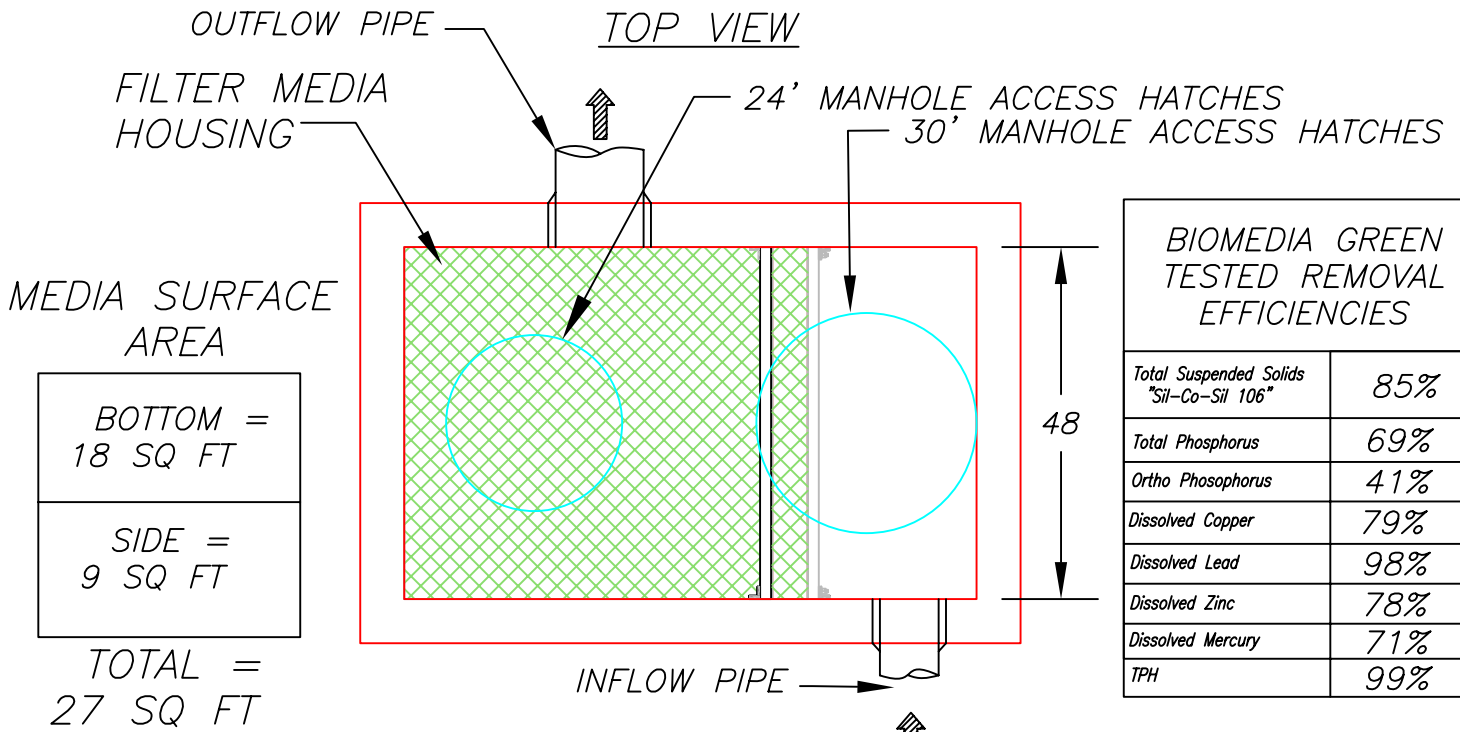


WATER POLISHER-UP FLOW MEDIA FILTER 4-6.5-60



- NOTES:**
1. CONCRETE 28 DAY COMPRESSIVE STRENGTH $f_c=5,000$ PSI.
 2. REINFORCING: ASTM A-615, GRADE 60.
 3. SUPPORTS AN H2O LOADING AS INDICATED BY AASHTO.
 4. JOINT SEALANT: BUTYL RUBBER SS-S-00210
 5. ALL WALLS, TOP + BOTTOM ARE 6" THICK.
 6. CONTRACTOR TO SUPPLY LIDS AND RISERS AS NEEDED.

DESIGNED TO BE PERMANENT INFRASTRUCTURE AND SHOULD LAST FOR DECADES.

5 YEAR MANUFACTURERS WARRANTY
PATENTED
ALL FILTER SCREENS ARE STAINLESS STEEL

Bio Clean Environmental PO Box 869 Oceanside CA 92049 TEL. 760-433-7640 FAX 7760-433-3176		PROJECT: Water Polisher	
REVISIONS:		DATE:	
REVISIONS:		DATE:	
REVISIONS:		DATE:	
REVISIONS:		DATE:	
REVISIONS:		DATE:	
WATER POLISHER 4-6.5-60-WP-1 DATE: 12/05/05 SCALE: SF = 15		REVISIONS: DATE:	
DRAFTER:		UNITS = INCHES	