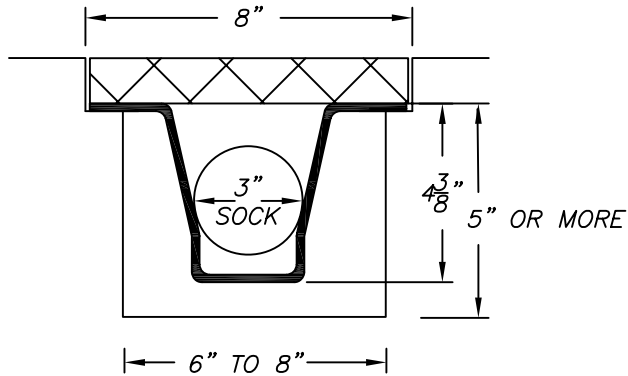
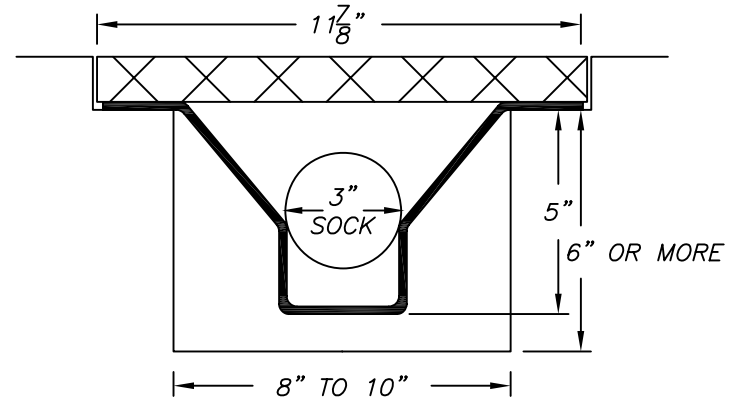


TRENCH GRATE FILTERS
MODEL # 4.5 - 8

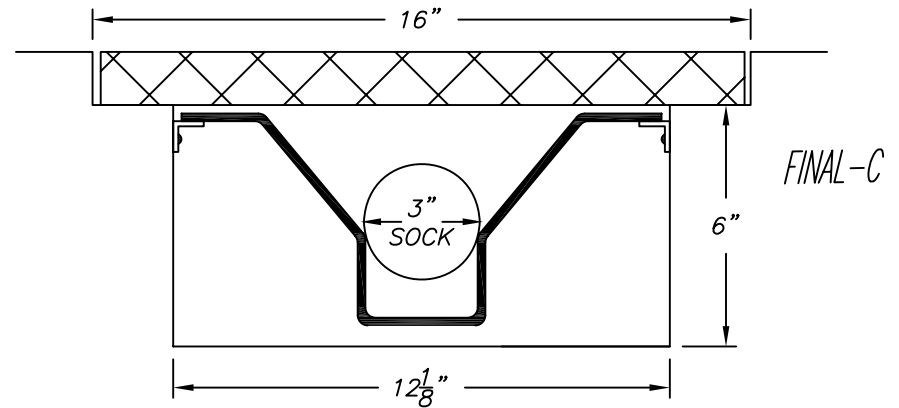
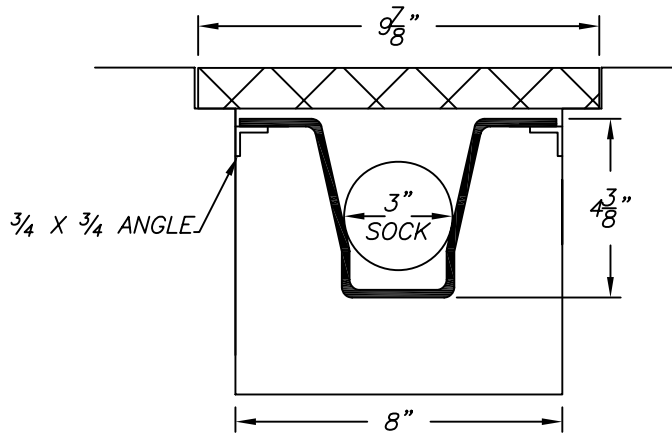


MODEL # 5-12



FOR ODD SIZE TRENCHES FLANGES CAN BE CUT WITH ALMOST ANY SKILL SAW WITH CARBIDE BLADE

TO INSTALL SIMPLY REMOVE GRATE PLACE IN INLET FILTER AND REINSTALL GRATE TO ITS ORIGINAL LOCATION



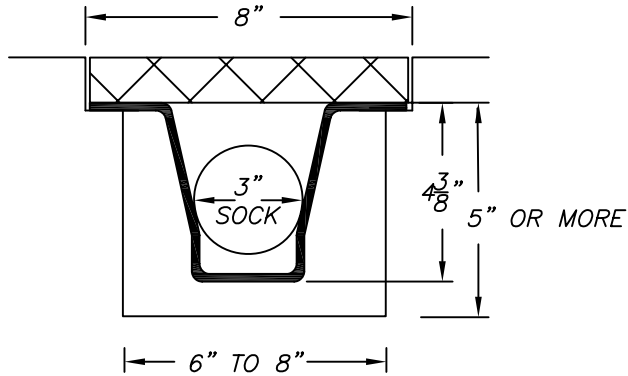
TREATMENT FLOW RATE = .064 CFS PER LINEAR FOOT

TO INSTALL THE MODEL 4.5-8 IN A SMALLER OPENING SUCH AS SHOWN INSTALL 3/4" ANGLE WITH 1/4" DRIVE PINS, PLACE IN INLET FILTER AND REINSTALL GRATE TO ITS ORIGINAL LOCATION

760-433-7640	
BIO CLEAN ENVIRONMENTAL PO BOX 869 OCEANSIDE, CA 92049	
TRENCH GRATE FILTER	
DATE: 04/24/07	SCALE: SF = 17.5
DRAFTER: N R B	UNITS = INCHES

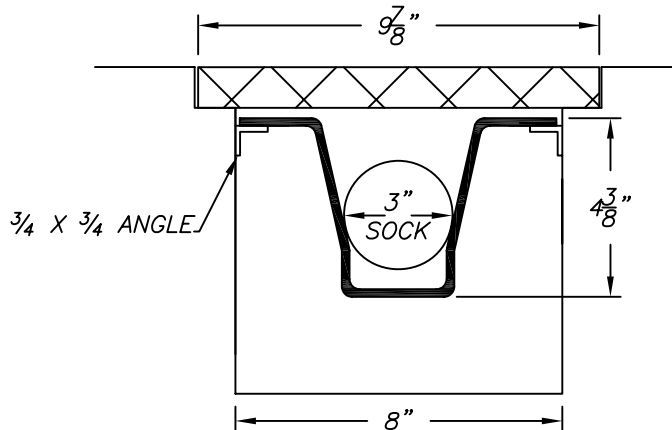
TRENCH GRATE FILTER MODEL # 4.5 - 8

TREATMENT FLOW RATE = .064 CFS PER LINEAR FOOT

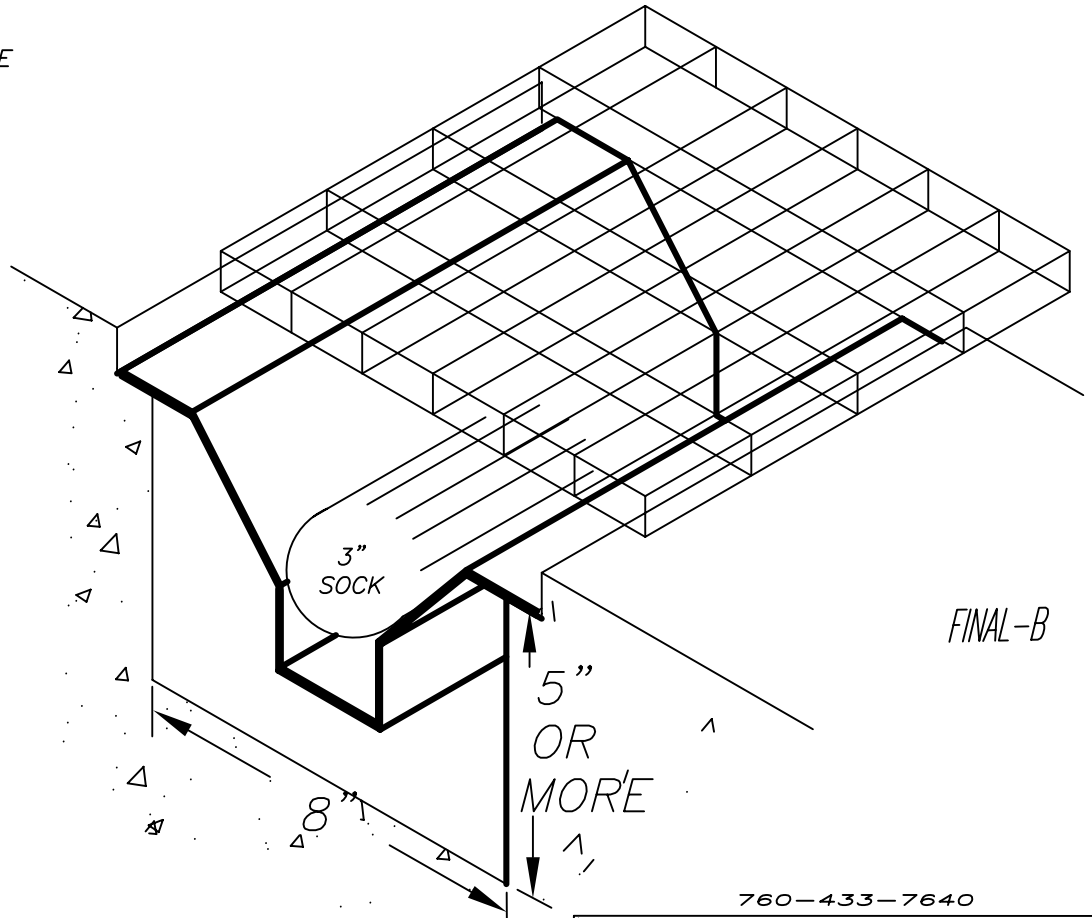


TO INSTALL SIMPLY REMOVE GRATE
PLACE IN INLET FILTER AND REINSTALL
GRATE TO ITS ORIGINAL LOCATION

FOR ODD SIZE TRENCHES FLANGES CAN
BE CUT WITH ALMOST ANY SKILL
SAW WITH CARBIDE BLADE



TO INSTALL THE MODEL 4.5-8 IN A SMALLER OPENING SUCH AS SHOWN
INSTALL 3/4" ANGLE WITH 1/4" DRIVE PINS, PLACE IN INLET FILTER
AND REINSTALL GRATE TO ITS ORIGINAL LOCATION



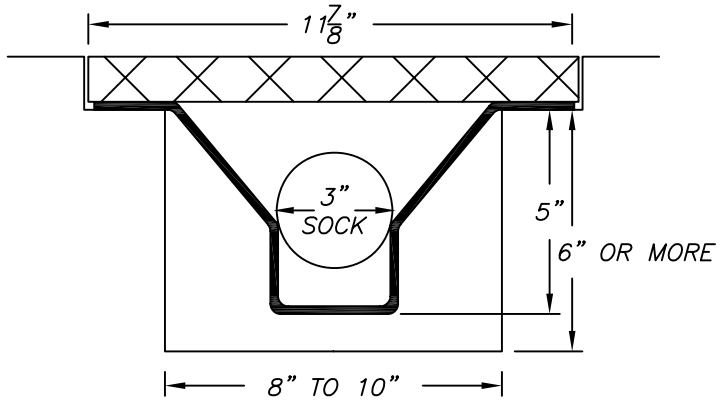
760-433-7640

BIO CLEAN ENVIRONMENTAL
PO BOX 869
OCEANSIDE, CA 92049

TRENCH GRATE FILTER	
DATE: 04/24/07	SCALE: SF = 17.5
DRAFTER: N R B	UNITS = INCHES

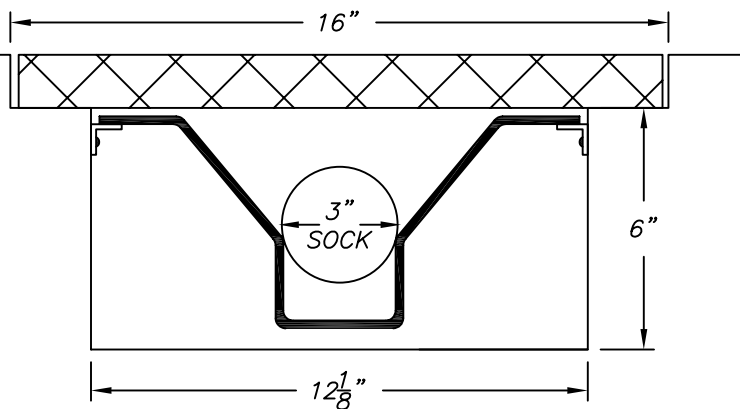
TRENCH GRATE FILTER MODEL # 5-12

TREATMENT FLOW RATE = .064 CFS PER LINEAR FOOT

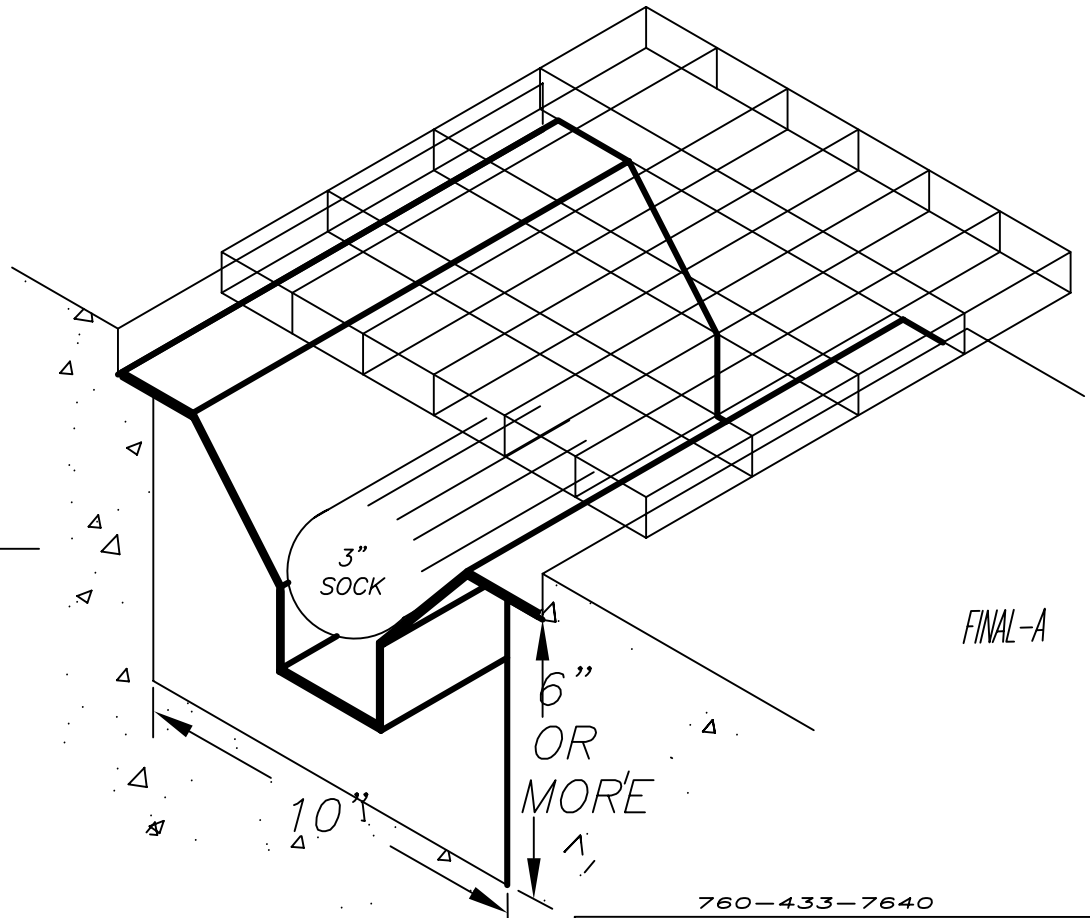


TO INSTALL SIMPLY REMOVE GRATE
PLACE IN INLET FILTER AND REINSTALL
GRATE TO ITS ORIGINAL LOCATION

FOR ODD SIZE TRENCHES FLANGES CAN
BE CUT WITH ALMOST ANY SKILL
SAW WITH CARBIDE BLADE



TO INSTALL THE MODEL 5-12 IN A WIDER OPENING SUCH AS SHOWN
INSTALL 3/4" ANGLE WITH 1/4" DRIVE PINS, PLACE IN INLET FILTER
AND REINSTALL GRATE TO ITS ORIGINAL LOCATION



760-433-7640

BIO CLEAN ENVIRONMENTAL
PO BOX 369
OCEANSIDE, CA 92049

TRENCH GRATE FILTER

DATE: 04/24/07 SCALE: SF = 17.5

DRAFTER: N R B UNITS = INCHES