

**CROSS SECTION
VEHICULAR TRAFFIC AREAS**

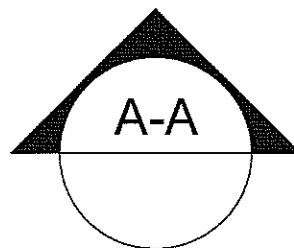
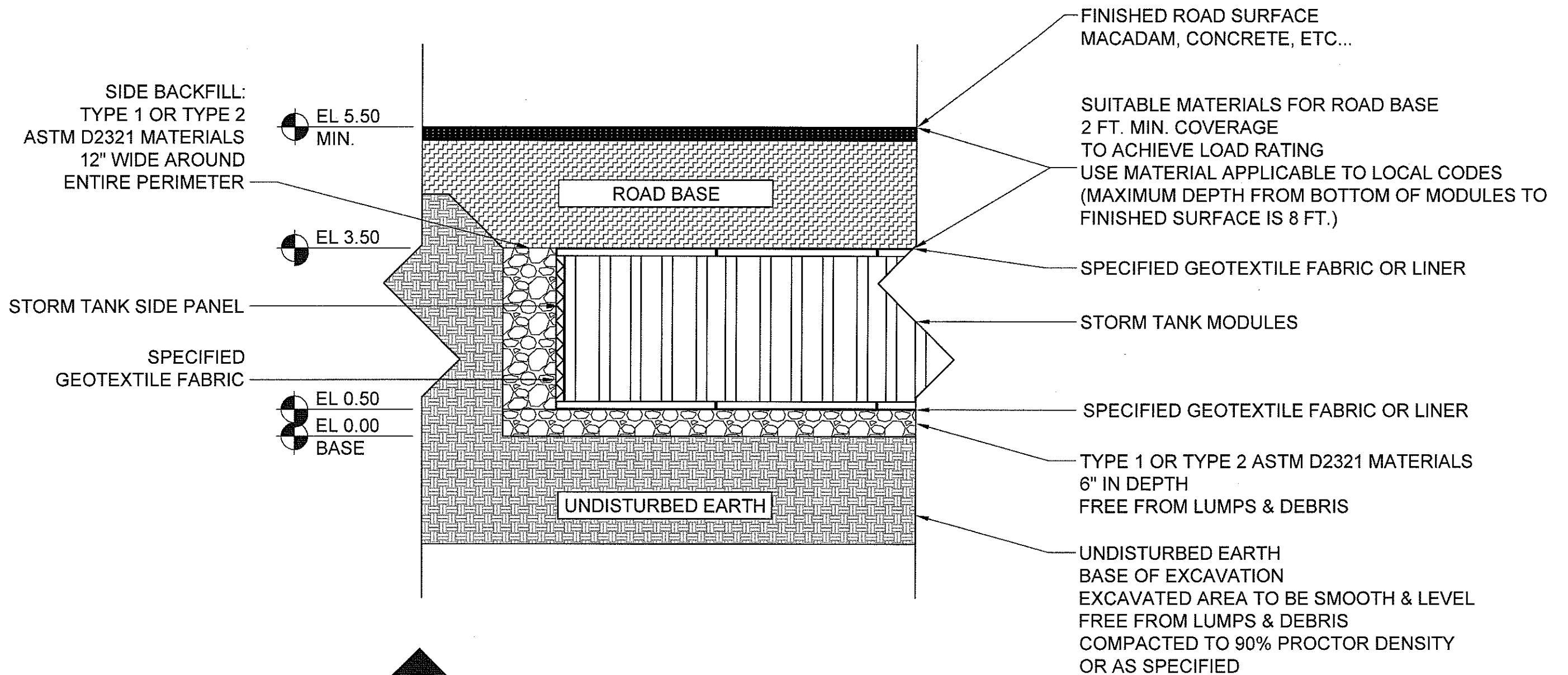
**BRENTWOOD
INDUSTRIES**
P.O. Box 605
610 Morgantown Road
Reading, PA 19603 U.S.A.
(610) 374-5109 / (610) 376-6022 (Fax)
www.brentw.com

Project Name	STORM TANK	A
Title	STORM TANK CROSS SECTION ELEVATION DOUBLE STACKED VEHICULAR TRAFFIC	
Drawn By	KTR	Date 6/6/07
Drawing No.	CS-4	Scale 1/2" = 1'-0"

Rev. No.	Date	Record of Changes	By

TOLERANCES	SUPPORTS	MEDIA
HEIGHT	±1/8"	±1/2"
LENGTH	±1/8"	±1/2"
WIDTH	±1/8"	±1/2"

This is the property of Brentwood Industries, Inc. It may not be reproduced or used for any purpose other than those expressly authorized by Brentwood Industries. It shall be returned immediately upon request of Brentwood Industries.



**CROSS SECTION
VEHICULAR TRAFFIC AREAS**

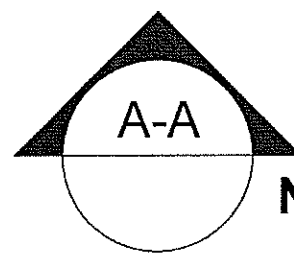
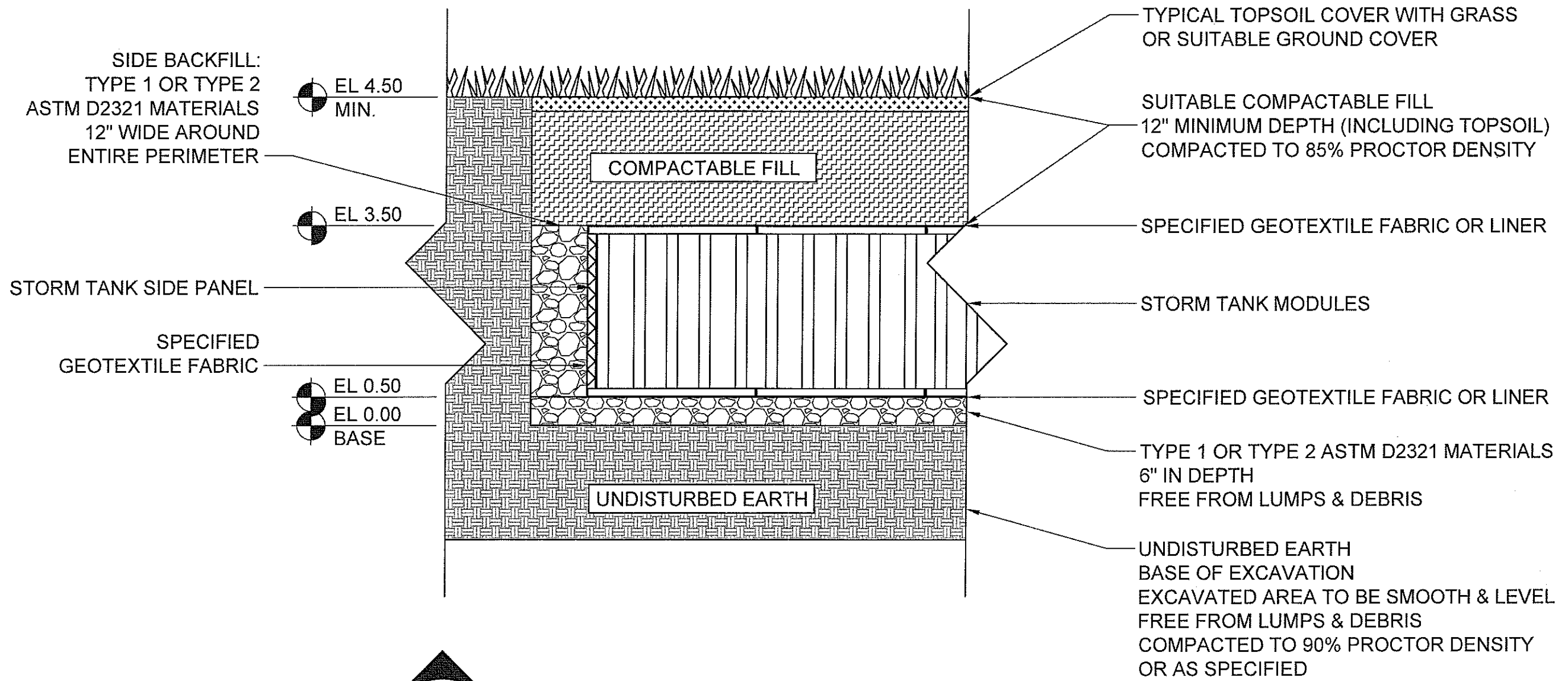
BRENTWOOD INDUSTRIES
 P.O. Box 605
 610 Morgantown Road
 Reading, PA 19603 U.S.A.
 (610) 374-5109 / (610) 375-6022 (Fax)
 www.brentw.com

Project Name	STORM TANK	A
Title	STORM TANK CROSS SECTION ELEVATION VEHICULAR TRAFFIC	

Rev. No.	Date	Record of Changes	By

TOLERANCES	SUPPORTS	MEDIA	Drawn By	Date
HEIGHT	±1/8"	±1/2"	KTR	6/7/07
LENGTH	±1/8"	±1/2"	Drawing No.	Scale
WIDTH	±1/8"	±1/2"	CS-2	1/2" = 1'-0"

This is the property of Brentwood Industries, Inc. It may not be reproduced or used for any purpose other than those expressly authorized by Brentwood Industries. It shall be returned immediately upon request of Brentwood Industries.



**CROSS SECTION
NON-VEHICULAR TRAFFIC AREAS**

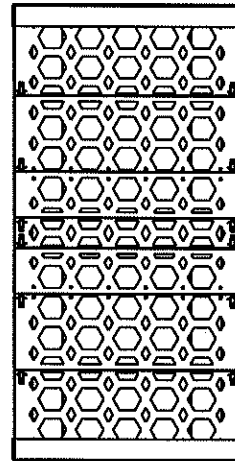
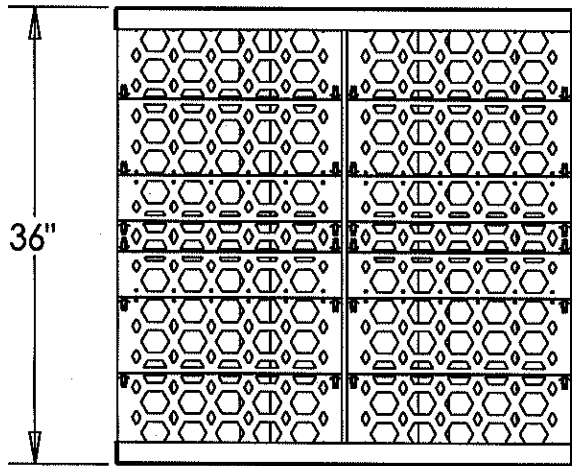
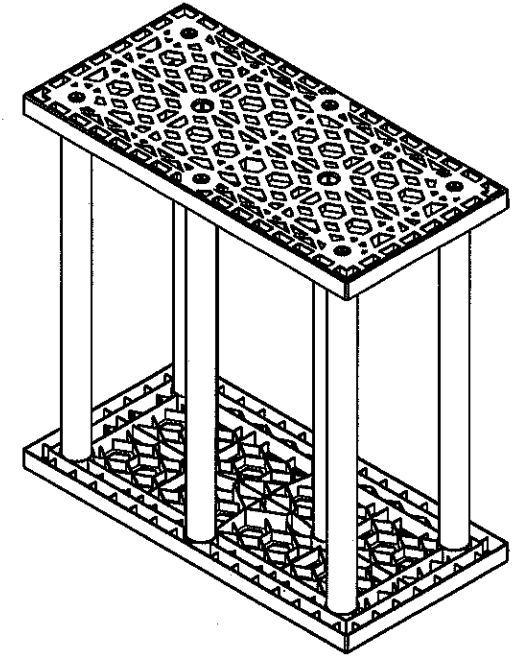
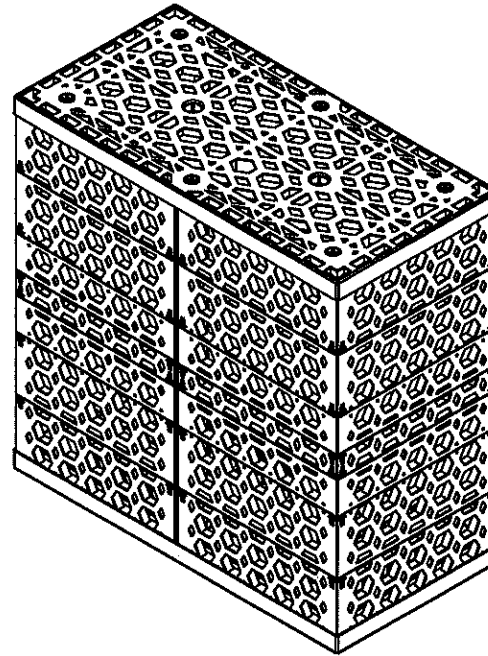
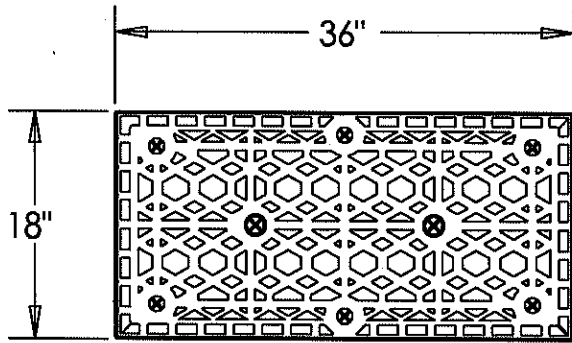
BRENTWOOD INDUSTRIES
 P.O. Box 605
 610 Morgantown Road
 Reading, PA 19603 U.S.A.
 (610) 374-5109 / (610) 376-6022 (Fax)
 www.brentw.com

Project Name		STORM TANK	
Title		STORM TANK CROSS SECTION ELEVATION NON-VEHICULAR TRAFFIC	
Drawn By	Date		
KTR	6/7/07		
Drawing No.	Scale		
CS-1	1/2" = 1'-0"		

Rev. No.	Date	Record of Changes	By

TOLERANCES	SUPPORTS	MEDIA
HEIGHT	±1/8"	±1/2"
LENGTH	±1/8"	±1/2"
WIDTH	±1/8"	±1/2"

This is the property of Brentwood Industries, Inc. It may not be reproduced or used for any purpose other than those expressly authorized by Brentwood Industries. It shall be returned immediately upon request of Brentwood Industries.



BRENTWOOD
INDUSTRIES
 P.O. Box 605 (ZIP 19603)
 610 Morgantown Road
 Reading, PA 19611 U.S.A.
 phone: 610-374-5109
 fax: 610-376-6022

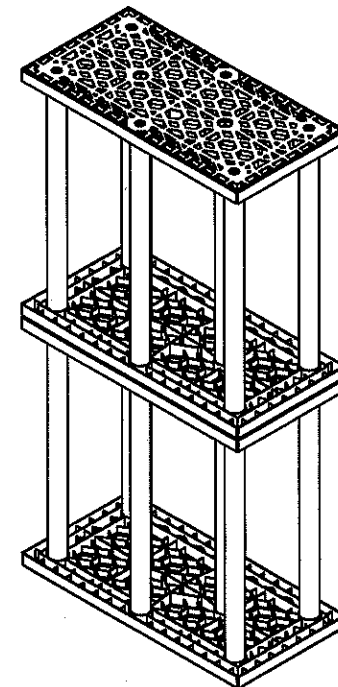
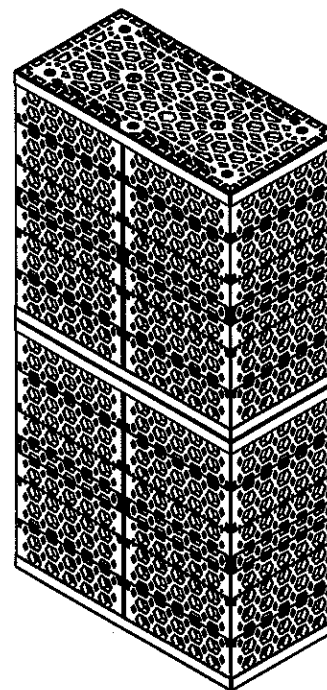
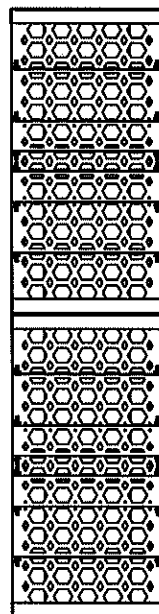
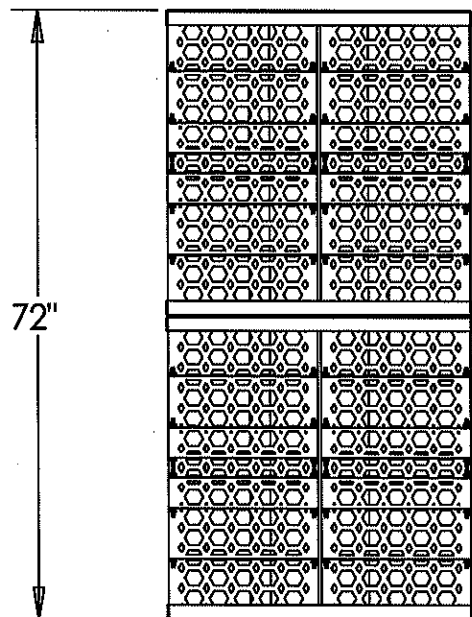
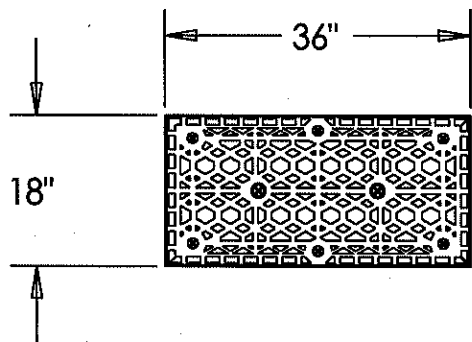
TOLERANCE UNLESS OTHERWISE NOTED					
Surface	.0	.00	.000	FRAC	ANG
	± .030	± .015	± .005	± 1/16	± 1/2

Drawing #	NA	Approved	Size
-----------	----	----------	------

Title	STORM TANK MODULE SINGLE		
-------	---------------------------------	--	--

Drawn By	MIKE BRAKEL	Date	12/13/06
Tooling Part #	NA	Scale	1:16

This is the property of Brentwood Industries, Inc. It may not be reproduced or used for any purpose other than those expressly authorized by Brentwood Industries. It shall be returned immediately upon request of Brentwood Industries.



Drawing #	NA	Approved	Size
			A

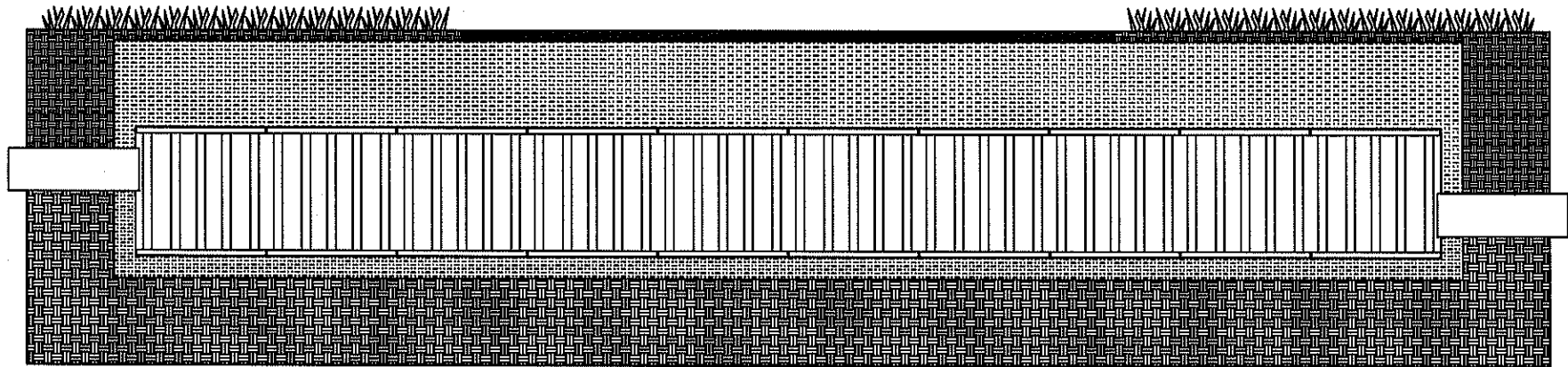
Title	STORM TANK MODULE DOUBLE	
-------	-----------------------------	--

BRENTWOOD INDUSTRIES
 P.O. Box 605 (ZIP 19603)
 610 Morgntown Road
 Reading, PA 19611 U.S.A.
 phone: 610-374-5109
 fax: 610-376-6022

TOLERANCE UNLESS OTHERWISE NOTED					
Surface	.0	.00	.000	FRAC	ANG
	± .030	± .015	± .005	± 1/16	± 1/2

Drawn By	Date
MIKE BRAKEL	12/13/06
Tooling Part #	Scale
NA	1:24

This is the property of Brentwood Industries, Inc. It may not be reproduced or used for any purpose other than those expressly authorized by Brentwood Industries. It shall be returned immediately upon request of Brentwood Industries.




BRENTWOOD
INDUSTRIES
 P.O.Box 605 (ZIP 19603)
 610 Morgantown Road
 Reading, PA 19611 U.S.A.
 phone: 610-374-5109
 fax: 610-376-6022

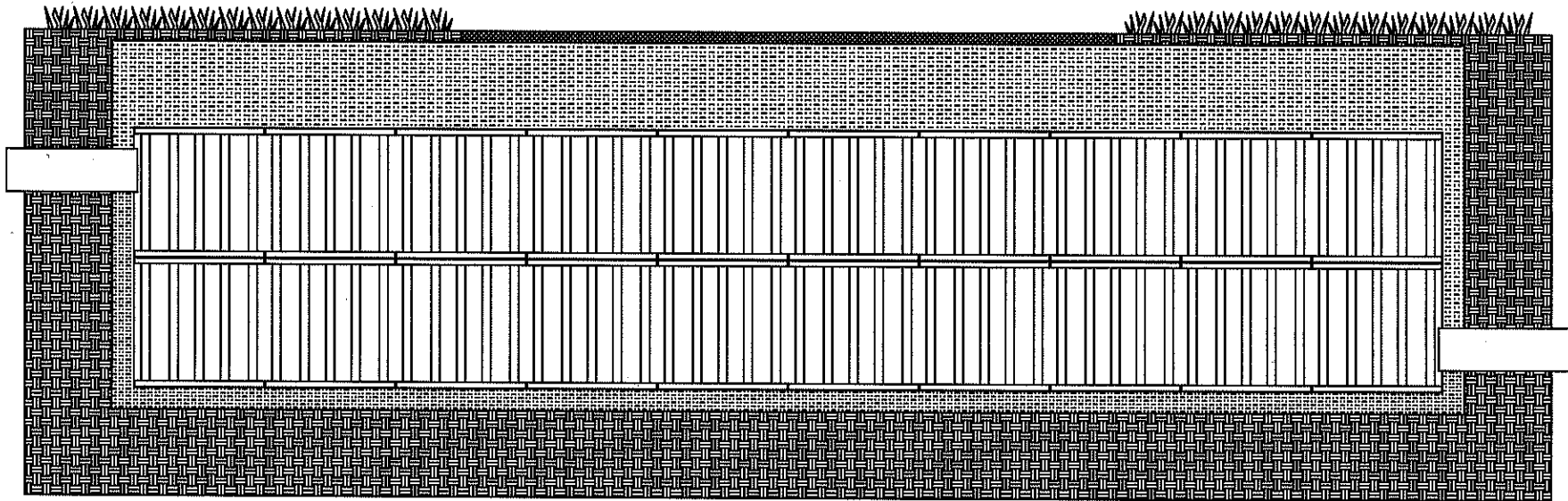
TOLERANCE UNLESS OTHERWISE NOTED					
Surface	.0	.00	.000	FRAC	ANG
	± .030	± .015	± .005	± 1/16	± 1/2

Drawing #	NA	Approved	Size
			A

Title
**SIDE VIEW
 SINGLE STACK
 STORM TANK MODULE
 ASSEMBLY**

Drawn By	Date
MIKE BRAKEL	12/14/06
Tooling Part #	Scale
NA	1:50

This is the property of Brentwood Industries, Inc. It may not be reproduced or used for any purpose other than those expressly authorized by Brentwood Industries. It shall be returned immediately upon request of Brentwood Industries.



Drawing #	NA	Approved	Size
			A

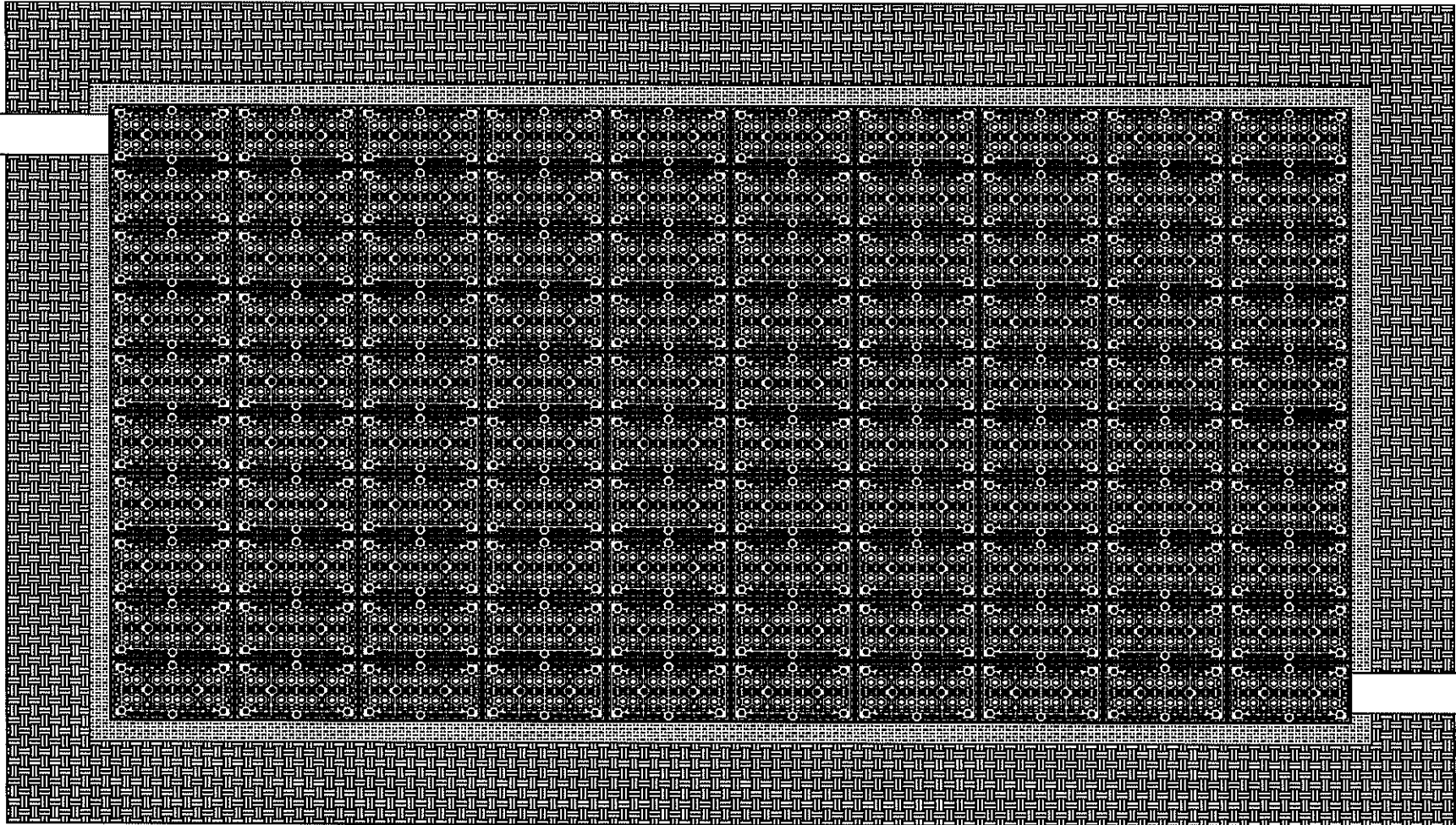

BRENTWOOD
INDUSTRIES
 P.O. Box 605 (ZIP 19603)
 610 Morgntown Road
 Reading, PA 19611 U.S.A.
 phone: 610-374-5109
 fax: 610-376-6022

Title	SIDE VIEW DOUBLE STACK STORM TANK MODULE ASSEMBLY	
Drawn By	MIKE BRAKEL	Date
		12/13/06

TOLERANCE UNLESS OTHERWISE NOTED					
Surface	.0	.00	.000	FRAC	ANG
	± .030	± .015	± .005	± 1/16	± 1/2

Tooling Part #	NA	Scale
		1:50

This is the property of Brentwood Industries, Inc. It may not be reproduced or used for any purpose other than those expressly authorized by Brentwood Industries. It shall be returned immediately upon request of Brentwood Industries



Drawing #	NA	Approved	Size
			A

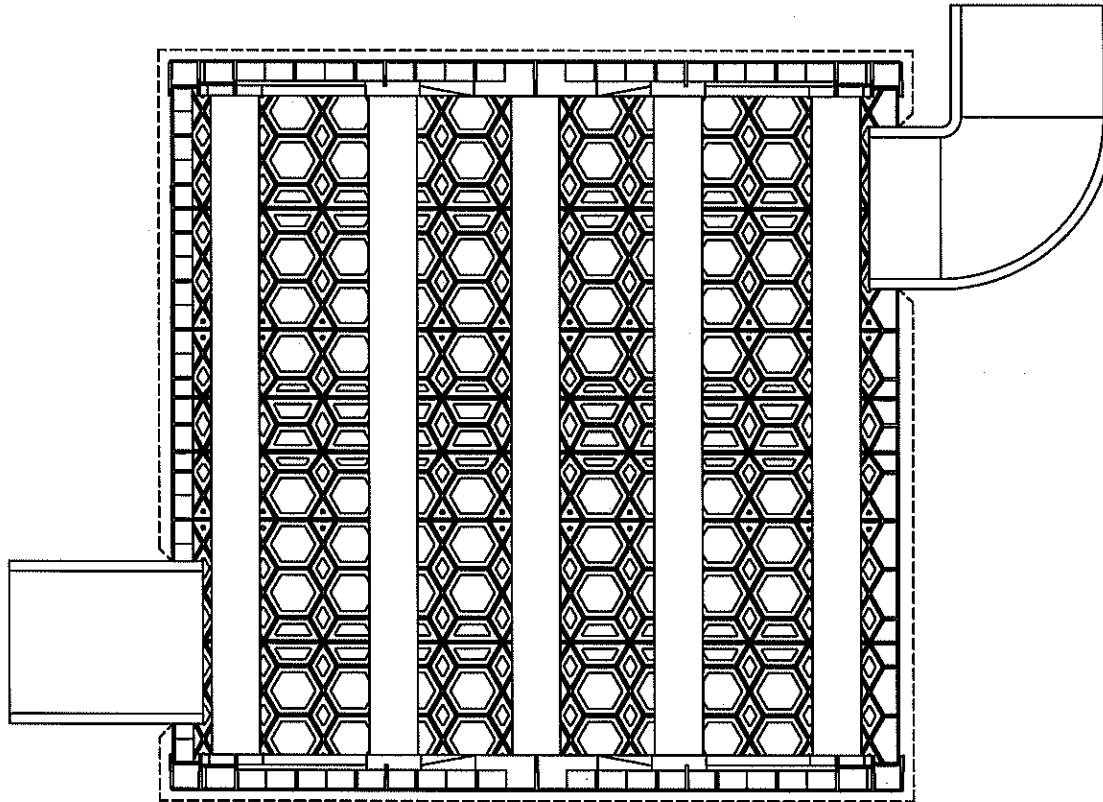
Title	TOP VIEW STORM TANK MODULE ASSEMBLY
-------	---


BRENTWOOD
INDUSTRIES
 P.O. Box 605 (ZIP 19603)
 610 Morgntown Road
 Reading, PA 19611 U.S.A.
 phone: 610-374-5109
 fax: 610-376-6022

TOLERANCE UNLESS OTHERWISE NOTED					
Surface	.0	.00	.000	FRAC	ANG
	± .030	± .015	± .005	± 1/16	± 1/2

Drawn By	MIKE BRAKEL	Date	12/14/06
Tooling Part #	NA	Scale	1:50

This is the property of Brentwood Industries, Inc. It may not be reproduced or used for any purpose other than those expressly authorized by Brentwood Industries. It shall be returned immediately upon request of Brentwood Industries.



Drawing #	NA	Approved	Size
			A

Title
**STORM TANK MODULE
 WITH INLET/OUTLET PIPES**

**BRENTWOOD
 INDUSTRIES**
 P.O. Box 605 (ZIP 19603)
 610 Morgntown Road
 Reading, PA 19611 U.S.A.
 phone: 610-374-5109
 fax: 610-376-6022

Drawn By	Date
MIKE BRAKEL	12/14/06
Tooling Part #	Scale
NA	1:10

TOLERANCE UNLESS OTHERWISE NOTED					
Surface	.0	.00	.000	FRAC	ANG
	± .030	± .015	± .005	± 1/16	± 1/2

This is the property of Brentwood Industries, Inc. It may not be reproduced or used for any purpose other than those expressly authorized by Brentwood Industries. It shall be returned immediately upon request of Brentwood Industries.