

BIO CLEAN ENVIRONMENTAL

MODEL NO. NSBB 8-14-96

FLOW, TREATMENT, & BYPASS SPECIFICATIONS FOR THE BIOMASS SEPARATING BASKET

- 1. Inflow Pipe Area _____ 9.6 SQ.FT.
- 2. Open Orifice Area in Biomass Separating Basket _____ 54.4 SQ.FT.
- 3. Treatable Flow Area With No Blockage _____ 54.4 SQ.FT.
- 4. Treatable Flow Area With 50% Blockage _____ 27.2 SQ.FT.
- 5. Treatable Flow Area With 75% Blockage _____ 40.8 SQ.FT.
- 6. Minimum Bypass Available (With Basket 100% Full) _____ 10.8 SQ.FT.

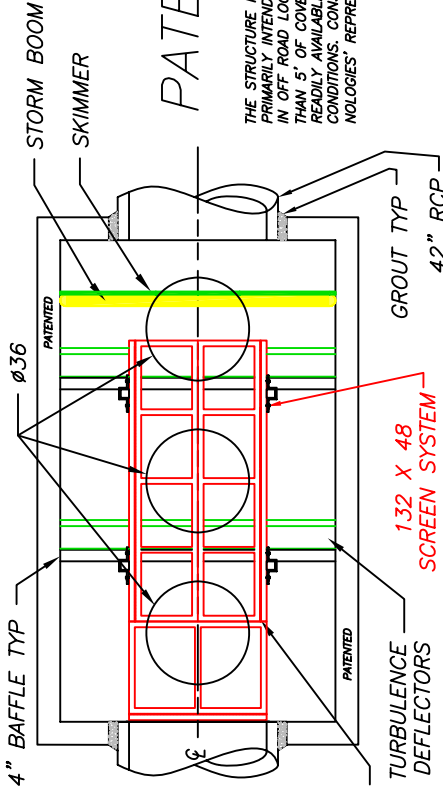
BASKET STORAGE = 98.8 CU. FT. (3.6 CU YD.)

SEDIEMENT STORAGE

- Lower Front Chamber _____ 112 CU. FT.
- Lower Middle Chamber _____ 112 CU. FT.
- Lower Rear Chamber _____ 96 CU. FT.

TOTAL 320 CU. FT. (11.8 CU YD.)

RECOMMENDED PIPE SIZES: 40" to 54"

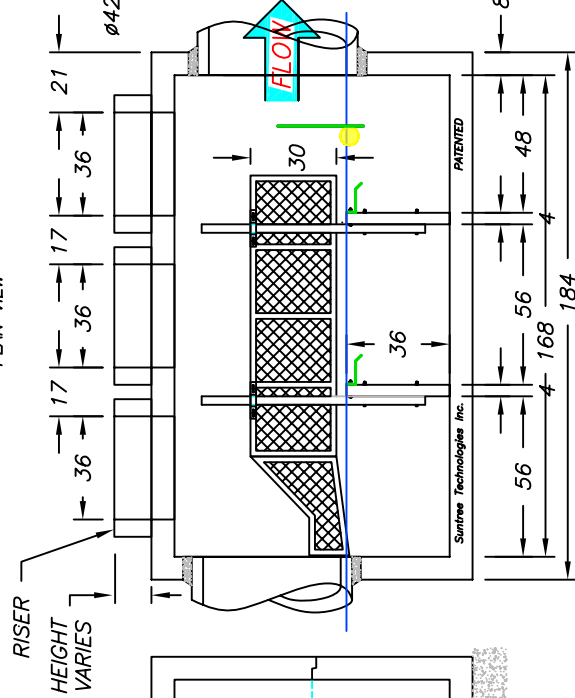


PATENTED

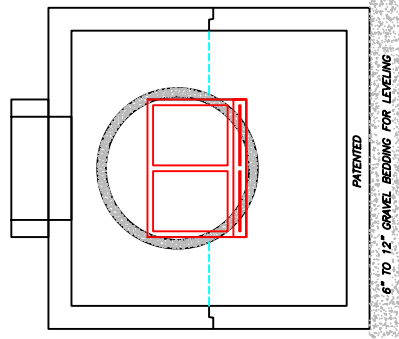
THE STRUCTURE IN THIS DRAWING IS PRIMARILY INTENDED TO BE INSTALLED IN OFF ROAD LOCATIONS WITH LESS THAN 5' OF COVER. STRUCTURES ARE READILY AVAILABLE FOR ALL OTHER CONDITIONS. CONSULT SUNTREE TECHNOLOGIES' REPRESENTATIVE FOR DETAILS.

SCREENED BOTTOMS HINGED

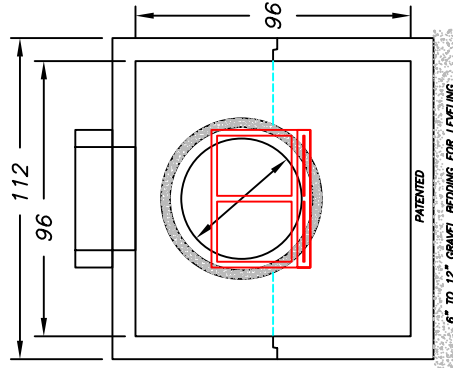
PLAN VIEW



FRONT VIEW



LEFT END VIEW



RIGHT END VIEW

NOTES:

1. CONCRETE 28 DAY COMPRESSIVE STRENGTH f_c = 5,000 PSI.
2. REINFORCING: ASTM A-615, GRADE 60.
3. SUPPORTS AN H2O LOADING AS INDICATED BY AASHTO.
4. JOINT SEALANT: BUTYL RUBBER SS-S-00210
5. ALL WALLS, TOP + BOTTOM ARE 8" THICK.

PEAK DESIGN FLOW
95.4 C.F.S.

(BASED ON 6 FT. PER SEC. FLOW MULTIPLIED BY THE MIN. BYPASS AVAILABLE.)

DISTRIBUTED BY:
BIO CLEAN ENVIRONMENTAL SERVICE
P.O. BOX 869, OCEANSIDE, CA. 92049
TEL. 760-433-7640 FAX: 760-433-3176
Email: info@biocleanenvironmental.net

PROJECT: SUNTREE TECHNOLOGIES SPEC.	
REVISIONS: BASKET SYSTEM	DATE: 01/06/04
REVISIONS:	DATE:
REVISIONS:	DATE:
REVISIONS:	DATE:
SUNTREE TECHNOLOGIES, INC. 798 CLEARLAKE RD, SUITE #2 COCOA, FL. 32922	
NUTRIENT SEPARATING BAFFLE BOX MODEL NO. NSBB 8-14-96	
DATE: 01/01/04	SCALE: SF = 72
DRAFTER: N.R.B.	UNITS = INCHES

