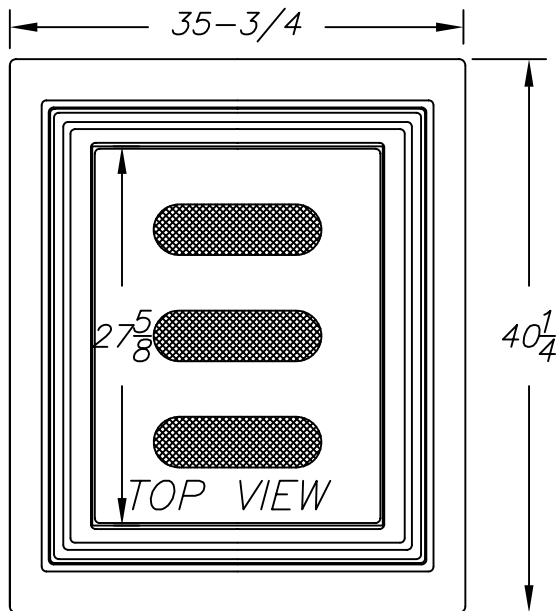
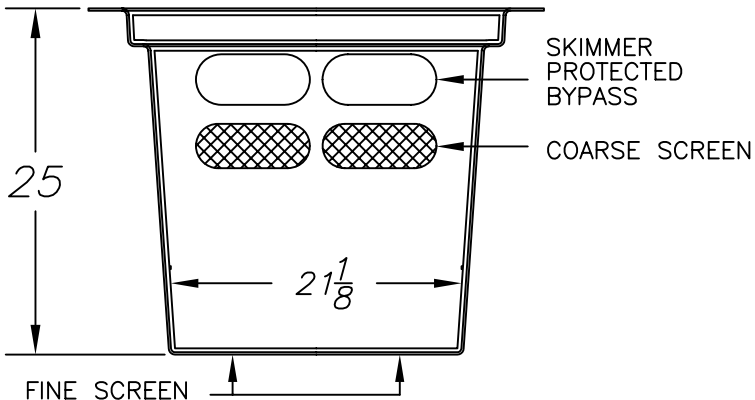
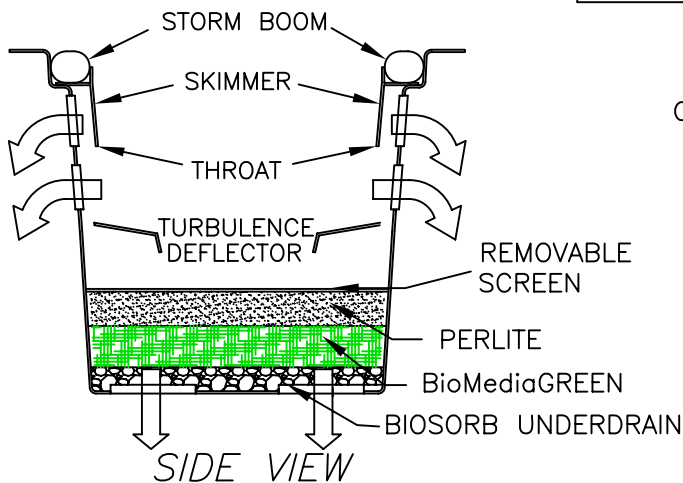


Part # GISB MEDIA FILTER-35-40-25

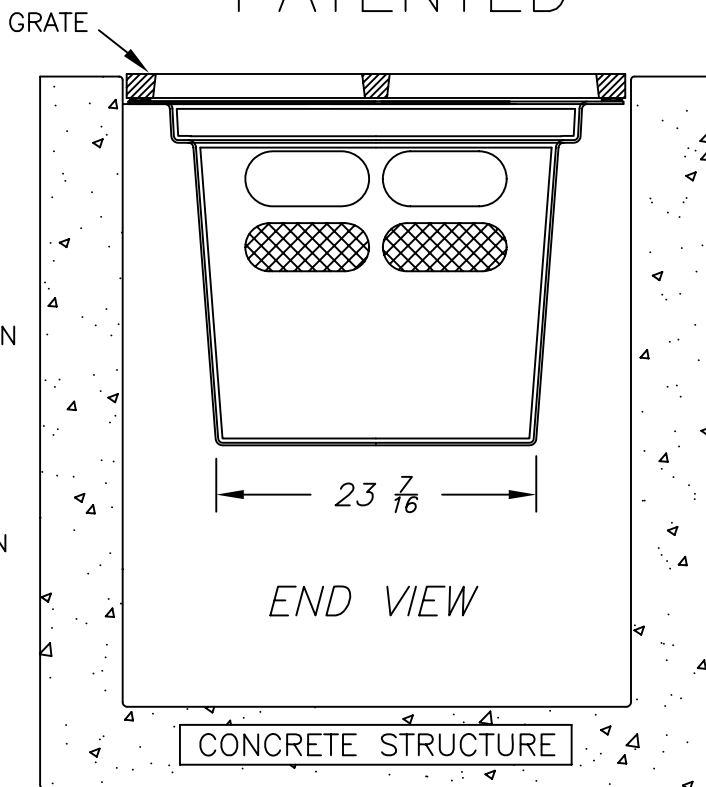


Flow Specifications				
Description of filter opening	Percent Open <i>Based on Screen Dimensions</i>	Total Square Inches per Unit	Square Inches of Total Unobstructed Openings	Flow Rate (Cubic Feet per Second)
Skimmer protected By-Pass	100%	381.5	381.5	13.4 cfs
Coarse Screen 3/4" x 1-3/4" stainless steel flattened expanded	62%	231.0	143.2	6.2 cfs
PERLITE (granular)	40%	585	N/A	0.217 cfs
BioMediaGREEN (porous blocks)	80%			
SCREEN TREATED FLOW RATE Total: 6.2 cfs		MEDIA TREATED FLOW RATE Total: 0.217 cfs		
FLOW RATES BASED ON UNOBSTRUCTED SCREEN OPENINGS				

FLOW SCHEMATIC



PATENTED



SUNTREE QUALITY PRODUCTS ARE BUILT FOR EASY CLEANING AND ARE DESIGNED TO BE PERMANENT INFRASTRUCTURE AND SHOULD LAST FOR DECADES.

BioMediaGREEN REMOVAL EFFICIENCIES	
Total Suspended Solids "Sil-Co-Sil 106"	85%
Total Phosphorus	69%
Ortho Phosphorus	41%
Dissolved Copper	79%
Dissolved Lead	98%
Dissolved Zinc	78%
Fecal Colliform Bacteria	68%
TPH	99%

BOX MANUFACTURED FROM MARINE GRADE FIBERGLASS & GEL COATED FOR UV PROTECTION
5 YEAR MANUFACTURERS WARRANTY
ALL FILTER SCREENS ARE STAINLESS STEEL

BIO CLEAN ENVIRONMENTAL SERVICE PO BOX 869 OCEANSIDE CA 92049 760-433-7640 FAX: 760-433-3176		PROJECT:	
GRATE INLET SKIMMER BOX FOR FLORIDA DOT INLET STRUCTURES.		REVISIONS:	DATE:
DATE: 3-17-09	SCALE: N.T.S.	REVISIONS:	DATE:
DRAFTER: D.R.F.	UNITS = INCHES	REVISIONS:	DATE: