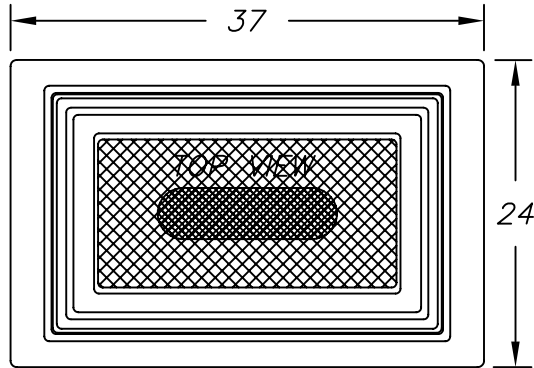
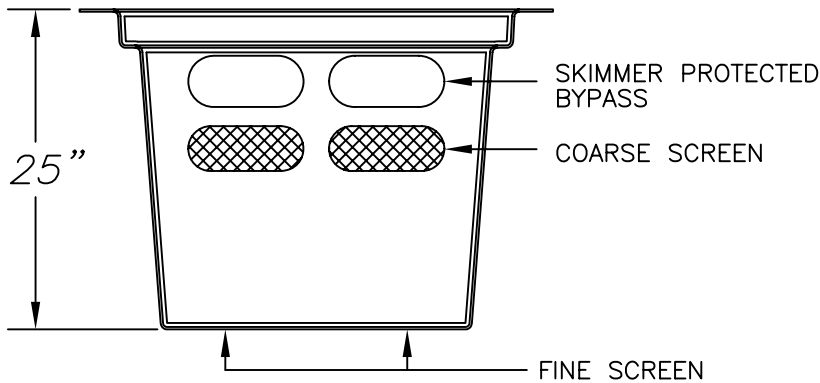
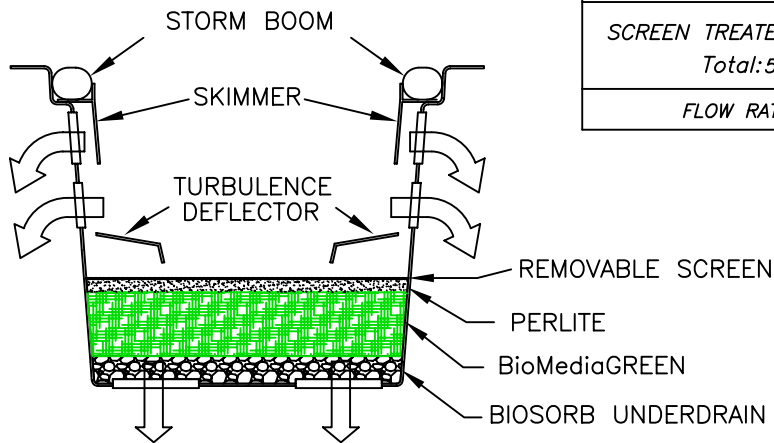


Part # GISB MEDIA FILTER-24-37-25

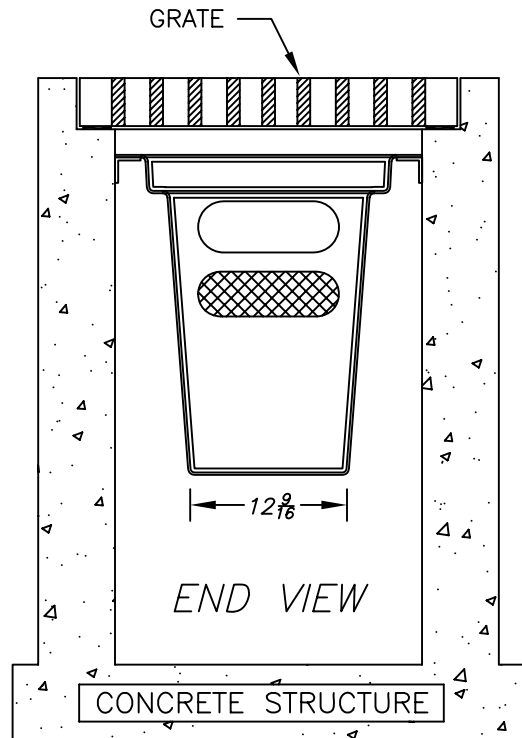


FLOW SCHEMATIC

Flow Specifications				
Description of filter opening	Percent Open Based on Screen Dimensions	Total Square Inches per Unit	Square Inches of Total Unobstructed Openings	Flow Rate (Cubic Feet per Second)
Skimmer protected By-Pass	100%	211.4	211.4	8.7 cfs
Coarse Screen 3/4" x 1-3/4" stainless steel flattened expanded	62%	187.2	116.1	5.6 cfs
PERLITE (granular) BioMediaGREEN (porous blocks)	40% 80%	392	N/A	48 gpm
SCREEN TREATED FLOW RATE Total: 5.6 cfs		MEDIA TREATED FLOW RATE Total: 48 gpm		
FLOW RATES BASED ON UNOBSTRUCTED OPENINGS				



SIDE VIEW



END VIEW

BOX MANUFACTURED FROM MARINE GRADE FIBERGLASS & GEL COATED FOR UV PROTECTION
5 YEAR MANUFACTURERS WARRANTY

PATENTED

ALL FILTER SCREENS ARE STAINLESS STEEL

REMOVAL EFFICIENCIES

HYDROCARBONS	- 50% to 95%	- UC Irvine, Longo Toyota
TSS/SEDIMENTS	- 53% to 73%	- UC Irvine, Creech Study
HEAVY METALS	- 40% to 95%	- UC Irvine, Longo Toyota
NUTRIENTS	- 53% to 98%	- Creech, Whitmans, USC
BACTERIA/FECAL COLIFORM	- 33%	- UC Irvine

SUNTREE QUALITY PRODUCTS ARE BUILT FOR EASY CLEANING AND ARE DESIGNED TO BE PERMANENT INFRASTRUCTURE AND SHOULD LAST FOR DECADES.

Email: info@biocleanenvironmental.net

BIO CLEAN ENVIRONMENTAL SERVICE		PROJECT:	
PO BOX 869 OCEANSIDE CA 92049		REVISIONS:	DATE:
760-433-7640 FAX:760-433-3176		REVISIONS:	DATE:
GRATE INLET SKIMMER BOX FOR MEDIA FILTER TYPE CATCH BASIN INSERT		REVISIONS:	DATE:
DATE: 04/12/04	SCALE: SF = 15	REVISIONS:	DATE:
DRAFTER: N.R.B.	UNITS = INCHES	REVISIONS:	DATE: