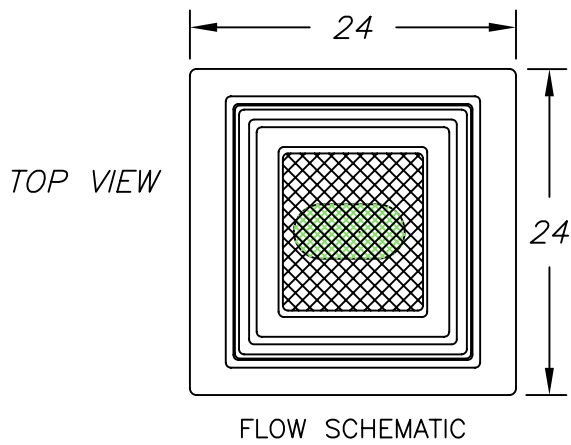
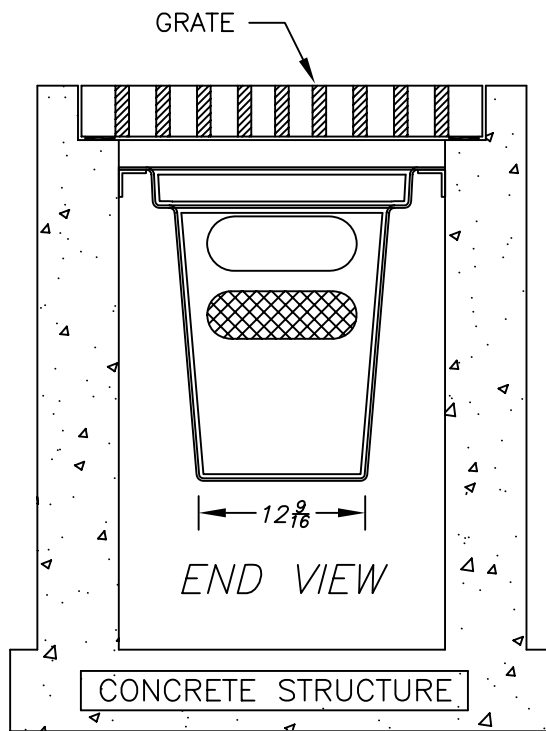
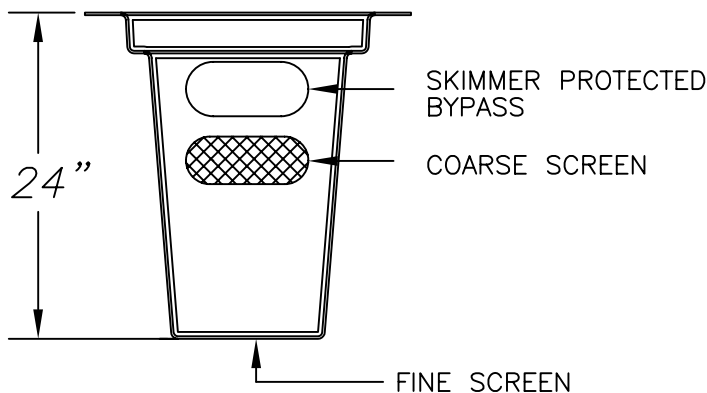
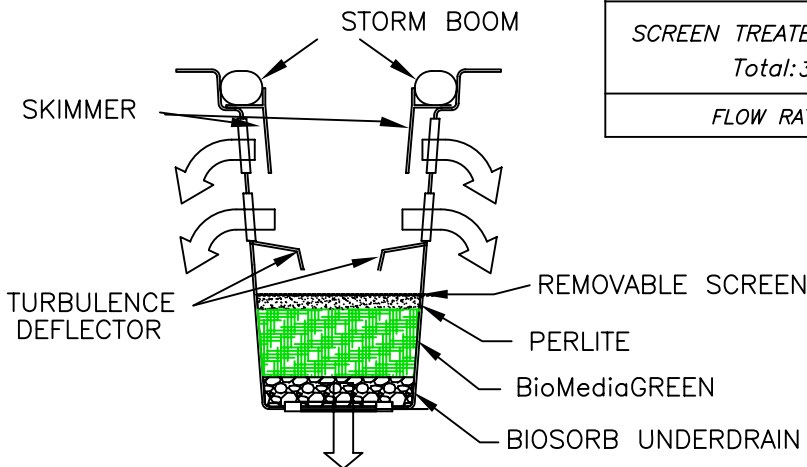


Part # GISB MEDIA FILTER-24-24-24



Flow Specifications				
Description of filter opening	Percent Open <small>Based on Screen Dimensions</small>	Total Square Inches per Unit	Square Inches of Total Unobstructed Openings	Flow Rate <small>(Cubic Feet per Second)</small>
Skimmer protected By-Pass	100%	132.1	132.1	5.4 cfs
Coarse Screen 3/4" x 1-3/4" stainless steel flattened expanded	62%	117	72.6	3.5 cfs
PERLITE (granular)	40%	245	N/A	16.5 gpm
BioMediaGREEN (porous blocks)	80%			
SCREEN TREATED FLOW RATE Total: 3.5 cfs		MEDIA TREATED FLOW RATE Total: 16.5 gpm		
FLOW RATES BASED ON UNOBSTRUCTED OPENINGS				



SIDE VIEW

BOX MANUFACTURED FROM
MARINE GRADE FIBERGLASS & GEL
COATED FOR UV PROTECTION

5 YEAR MANUFACTURERS WARRANTY

PATENTED

ALL FILTER SCREENS ARE STAINLESS STEEL

BioMediaGREEN REMOVAL EFFICIENCIES	
Total Suspended Solids "Sil-Co-Sil 106"	85%
Total Phosphorus	69%
Ortho Phosphorus	41%
Dissolved Copper	79%
Dissolved Lead	98%
Dissolved Zinc	78%
Fecal Coliform Bacteria	68%
TPH	99%

SUNTREE QUALITY PRODUCTS ARE BUILT FOR EASY CLEANING AND ARE
DESIGNED TO BE PERMANENT INFRASTRUCTURE AND SHOULD
LAST FOR DECADES.

Email: info@biocleanenvironmental.net

BIO CLEAN ENVIRONMENTAL SERVICE PO BOX 869 OCEANSIDE CA 92049 760-433-7640 FAX: 760-433-3176		PROJECT:	
GRATE INLET SKIMMER BOX FOR MEDIA FILTER TYPE CATCH BASIN INSERT		REVISIONS:	DATE:
DATE: 04/12/04	SCALE: SF = 15	REVISIONS:	DATE:
DRAFTER: N.R.B.	UNITS = INCHES	REVISIONS:	DATE: