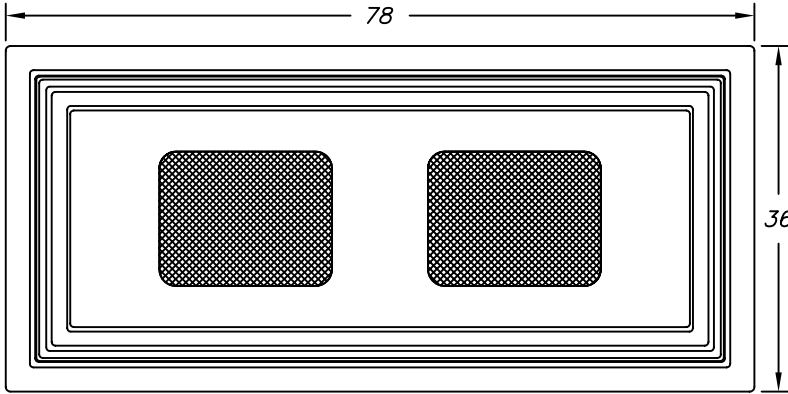


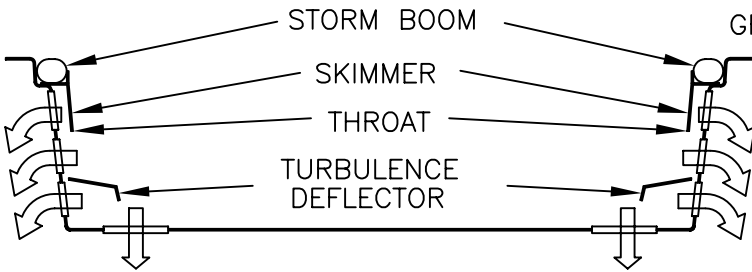
Part # GISB-H-78-36-18



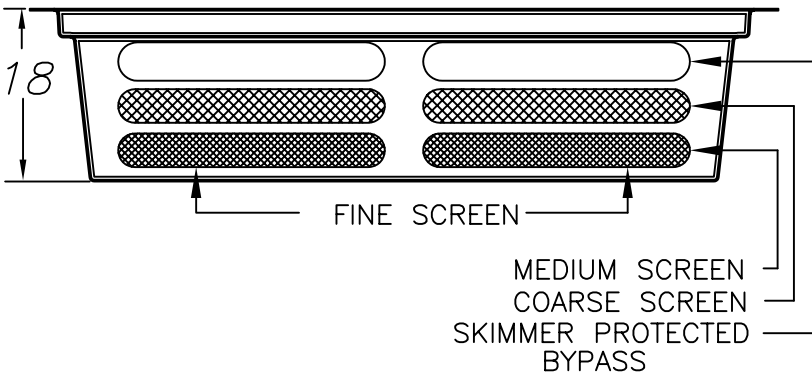
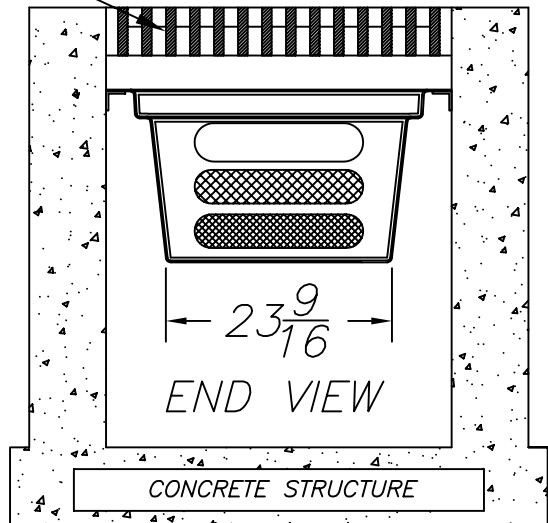
TOP VIEW

FLOW SCHEMATIC

| Flow Specifications | | | | |
|---|---|--------------------------------------|--|---|
| Description of filter opening | Percent Open <small>Based on Screen Dimensions</small> | Total Square Inches per Unit | Square Inches of Total Unobstructed Openings | Flow Rate <small>(Cubic Feet per Second)</small> |
| Skimmer protected By-Pass | 100% | 564.4 | 564.4 | 25.1 cfs |
| Coarse Screen 3/4" x 1-3/4" stainless steel flattened expanded | 62% | 496.1 | 307.6 | 15.4 cfs |
| Medium Screen 10x10 mesh stainless steel | 56% | 496.1 | 277.8 | 15.4 cfs |
| Fine screen 14 x 18 mesh stainless steel | 68% | 498.7 | 339.1 | 19.8 cfs |
| THROAT FLOW RATE Total: 67.1 cfs | | TREATED FLOW RATE Total: 50.6 cfs | | |
| FLOW RATES BASED ON UNOBSTRUCTED OPENINGS | | | | |



SIDE VIEW



MOUNT TO WALL BELOW GRATE WITH MOUNTING KIT CONSISTING OF ALUMINUM ANGLES, TAPCONS, AND DRILL BITS
MOUNTING KIT SOLD SEPARATELY

BOX MANUFACTURED FROM MARINE GRADE FIBERGLASS & GEL COATED FOR UV PROTECTION

5 YEAR MANUFACTURERS WARRANTY

PATENTED

ALL FILTER SCREENS ARE STAINLESS STEEL

EXCLUSIVE CALIFORNIA DISTRIBUTOR:
BIO CLEAN ENVIRONMENTAL SERVICE
P.O. BOX 869, OCEANSIDE, CA. 92049
TEL. 760-433-7640 FAX: 760-433-3176
Email: info@biocleanenvironmental.net

SUNTREE QUALITY PRODUCTS ARE BUILT FOR EASY CLEANING AND ARE DESIGNED TO BE PERMANENT INFRASTRUCTURE AND SHOULD LAST FOR DECADES.

| | | | |
|---|----------------|------------|-------|
| SUNTREE TECHNOLOGIES 798 CLEARLAKE RD. SUITE #2 COCOA FL. 32922 TEL. 321-637-7552 FAX 321-637-7554 | | PROJECT: | |
| GRATE INLET SKIMMER BOX FOR FLORIDA DOT TYPE H INLET STRUCTURES. | | REVISIONS: | DATE: |
| DATE: 04/12/04 | SCALE: SF = 20 | REVISIONS: | DATE: |
| DRAFTER: N.R.B. | UNITS = INCHES | REVISIONS: | DATE: |