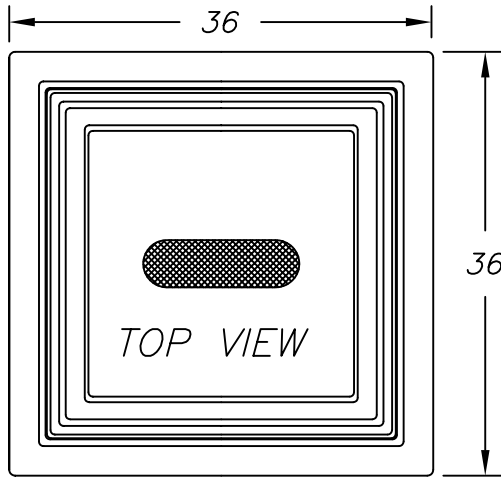
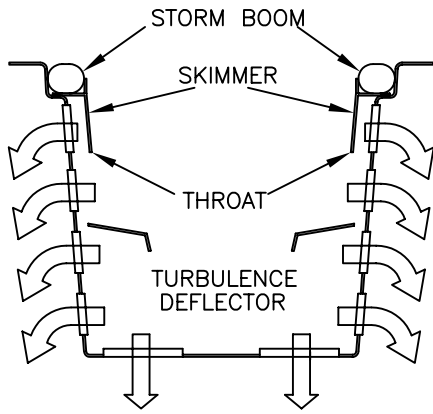


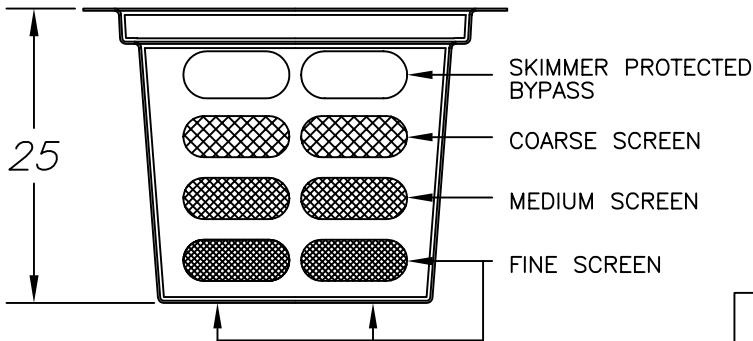
Part # GISB-36-36-25



TOP VIEW



FLOW SCHEMATIC
SIDE VIEW



BOX MANUFACTURED FROM
MARINE GRADE FIBERGLASS & GEL
COATED FOR UV PROTECTION

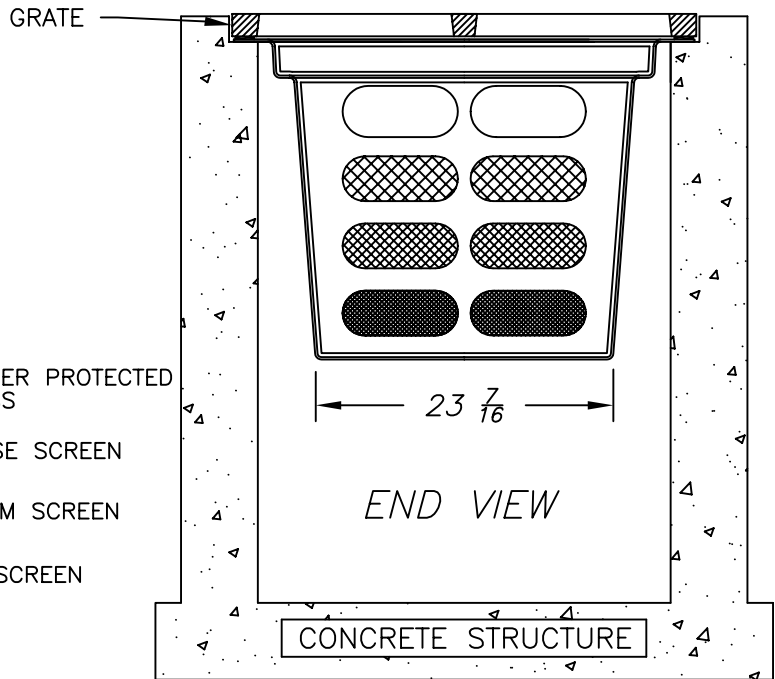
5 YEAR MANUFACTURERS WARRANTY

PATENTED

ALL FILTER SCREENS ARE STAINLESS STEEL

Flow Specifications

Description of filter opening	Percent Open <i>Based on Screen Dimensions</i>	Total Square Inches per Unit	Square Inches of Total Unobstructed Openings	Flow Rate (Cubic Feet per Second)
Skimmer protected By-Pass	100%	381.5	381.5	13.4 cfs
Coarse Screen 3/4" x 1-3/4" stainless steel flattened expanded	62%	231.0	143.2	6.2 cfs
Medium Screen 10x10 mesh stainless steel	56%	231.0	129.3	6.4 cfs
Fine screen 14 x 18 mesh stainless steel	68%	283.5	192.8	10.8
MAXIMUM THROAT FLOW RATE Total: 18.8 cfs		SCREEN TREATED FLOW RATE Total: 23.4 cfs		
FLOW RATES BASED ON UNOBSTRUCTED SCREEN OPENINGS				



REMOVE GRATE
INSERT GISB
REINSTALL GRATE

EXCLUSIVE CALIFORNIA DISTRIBUTOR:
BIO CLEAN ENVIRONMENTAL SERVICE
P.O. BOX 869, OCEANSIDE, CA. 92049
TEL: 760-433-7640 FAX: 760-433-3176
Email: info@biocleanenvironmental.net

SUNTREE QUALITY PRODUCTS ARE BUILT FOR EASY CLEANING AND ARE
DESIGNED TO BE PERMANENT INFRASTRUCTURE AND SHOULD
LAST FOR DECADES.

SUNTREE TECHNOLOGIES 798 CLEARLAKE RD. SUITE #2 COCOA FL. 32922 TEL. 321-637-7552 FAX 321-637-7554		PROJECT:	
GRATE INLET SKIMMER BOX FOR FLORIDA DOT INLET STRUCTURES.		REVISIONS:	DATE:
DATE: 04/12/04	SCALE: SF = 15	REVISIONS:	DATE:
DRAFTER: N.R.B.	UNITS = INCHES	REVISIONS:	DATE: