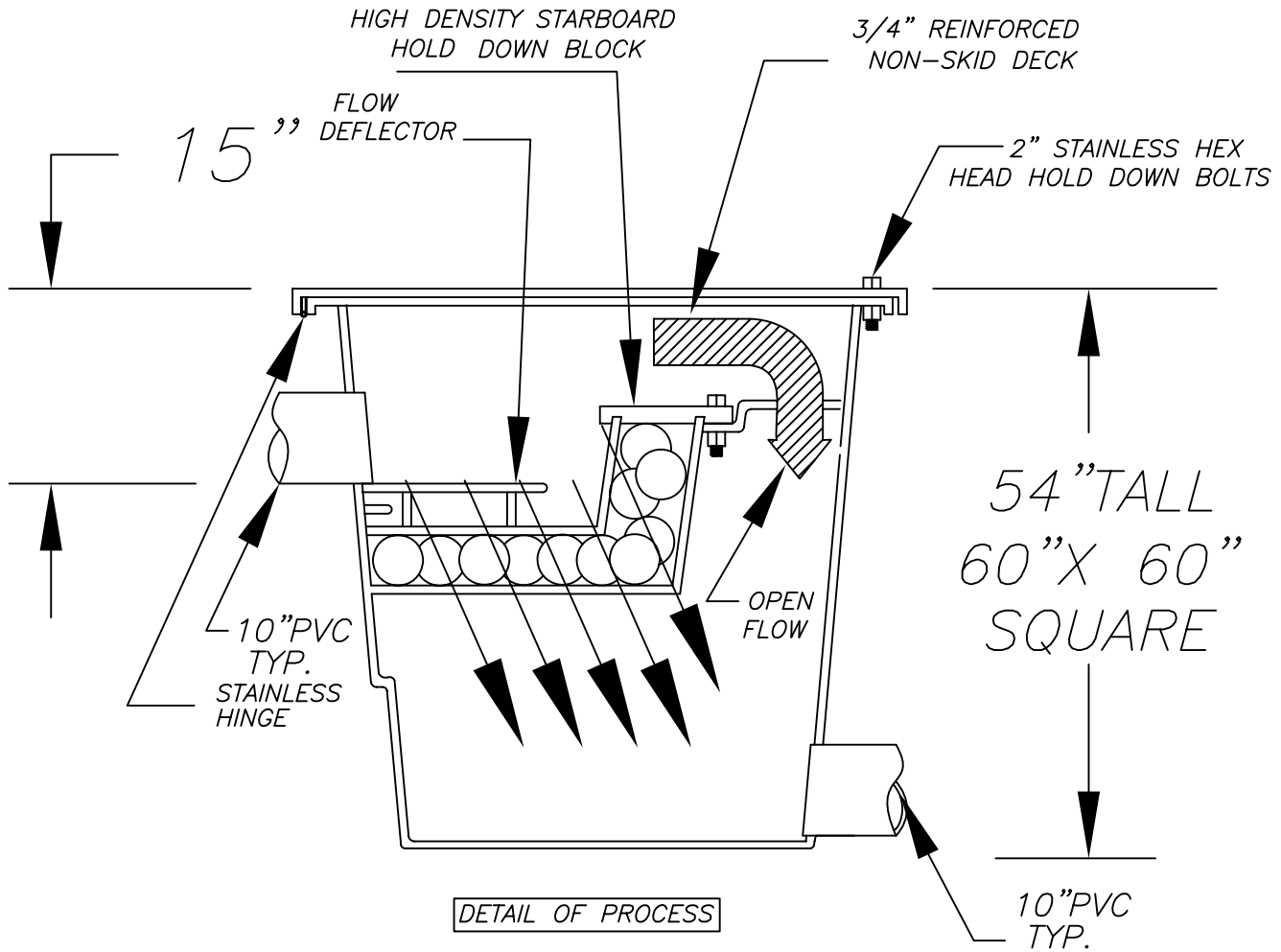


GOLF GREEN & INLINE FILTER

MODEL NO. GGF 60-60-54

FILTERS NITROGEN NITRATE, NITRITE, PHOSPHORUS, HYDROCARBON AND OTHER POLLUTANTS DEPENDING ON THE PARTICULAR FILTER MEDIA USED.



DETAIL OF PROCESS

FILTERED FLOW
MAXIMUM CAP. 695 G.P.M.

PATENTS PENDING

NOTES:

1. SHELF SYSTEM PROVIDES FOR ENTIRE COVERAGE OF INLET OPENING SO TO DIVERT ALL FLOW TO SCREEN SYSTEM.
2. SHELF SYSTEM MANUFACTURED FROM MARINE GRADE FIBERGLASS, GEL COATED FOR UV PROTECTION.
3. SHELF SYSTEM ATTACHED TO THE FILTER BOX WITH NON-CORROSIVE HARDWARE.
4. FILTRATION BOX STRUCTURE MANUFACTURED OF MARINE GRADE FIBERGLASS, GEL COATED FOR UV PROTECTION.
5. FILTRATION BOX SCREENS MANUFACTURED FROM STAINLESS STEEL.
6. FILTRATION BASKET HOLDS BOOM OF ABSORBENT MEDIA TO CAPTURE POLLUTANTS. BOOM IS EASILY REPLACED WITHOUT REMOVING MOUNTING HARDWARE.

EXCLUSIVE CALIFORNIA DISTRIBUTOR:
BIO CLEAN ENVIRONMENTAL SERVICE
P.O. BOX 869, OCEANSIDE, CA. 92049
TEL: 760-433-7640 FAX: 760-433-3176
Email: info@biocleanenvironmental.net

SUNTREE TECHNOLOGIES 798 CLEARLAKE RD. SUITE #2 COCOA FL. 32922 TEL. 321-637-7552 FAX 321-637-7554		PROJECT:
GOLF GREEN & INLET FILTER		REVISIONS: _____ DATE: _____
DATE: 06/22/06	SCALE: SF = 10.3	REVISIONS: _____ DATE: _____
DRAFTER: N.R.B.	UNITS = INCHES	REVISIONS: _____ DATE: _____