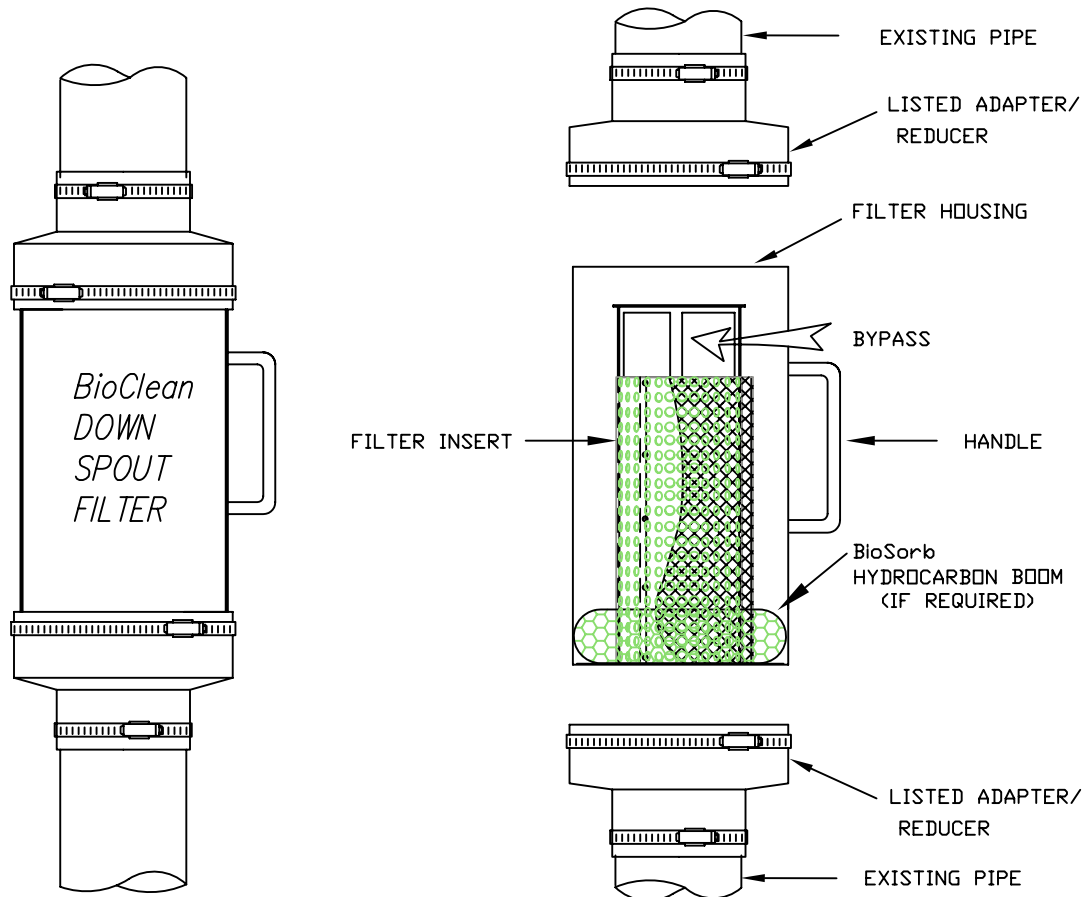


# INSTALLATION MANUAL

## Bio Clean DOWNSPOUT FILTER



### DETAIL OF PARTS

#### TOOLS AND EQUIPMENT NEEDED:

1. Medium size flat screw driver
2. Gas powered demo or cut-off saw with abrasive blade and pipe wrap
3. Permanent marker
4. Anchor strap by others

**Downspout filter comes pre-assembled.**

**Adapts to 4", 6", or 8" downspouts.**

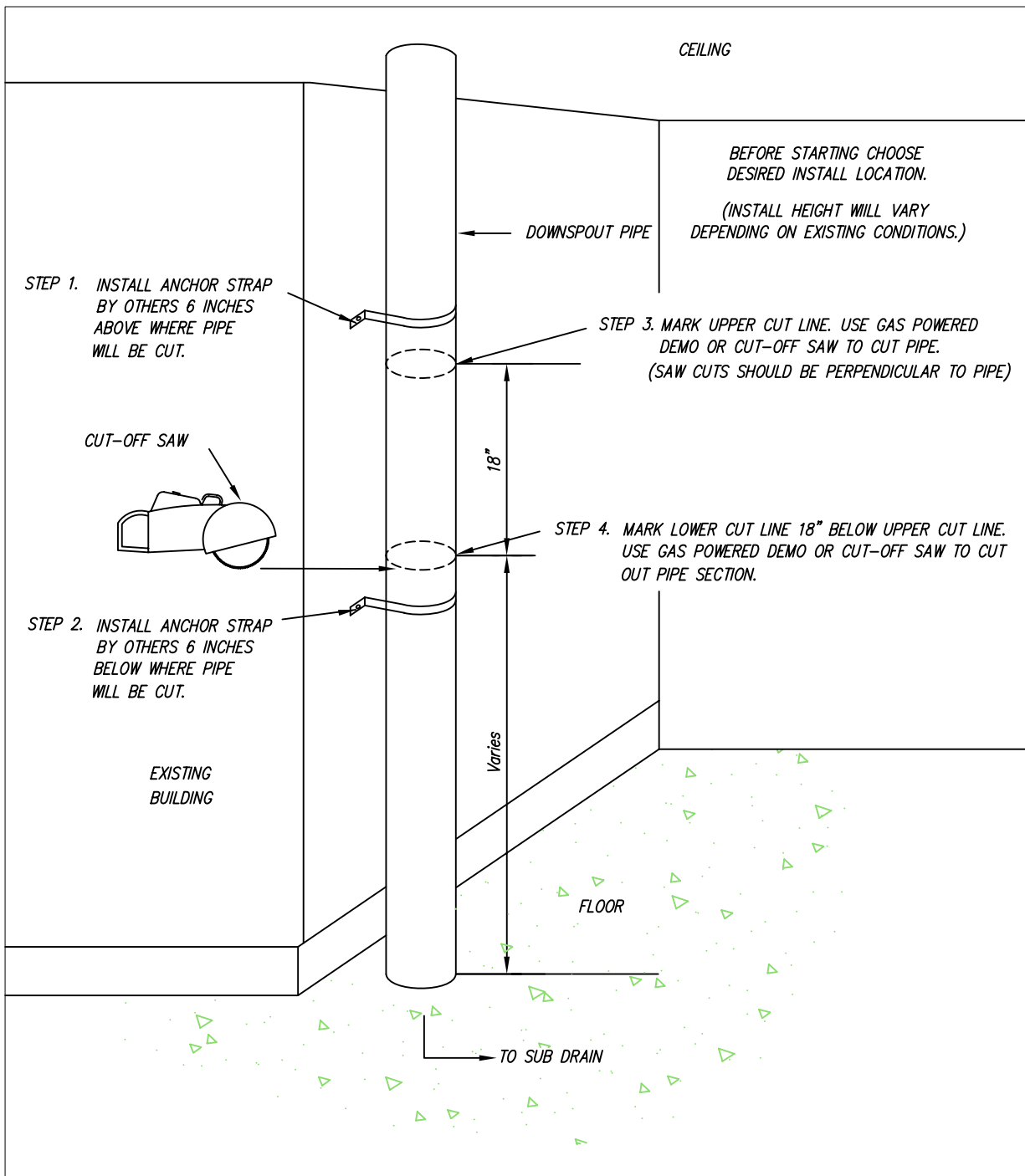
#### NOTES

1. The device shall be sized according to the nominal size of the interconnecting drainage system. At no time shall the entrance size be larger than the exit size.
2. The device shall be installed in an accessible location to provide for means of repair and maintenance
3. The device shall be installed using approved adapters or couplings to attach the device to the downspout or drainage pipe.



P.O. BOX 869, Oceanside, Ca. 92049  
(760) 433-7640 Fax (760) 433-3176  
[www.biocleanenvironmental.net](http://www.biocleanenvironmental.net)

## STARTING INSTALLATION - CUTTING OUT PIPE SECTION

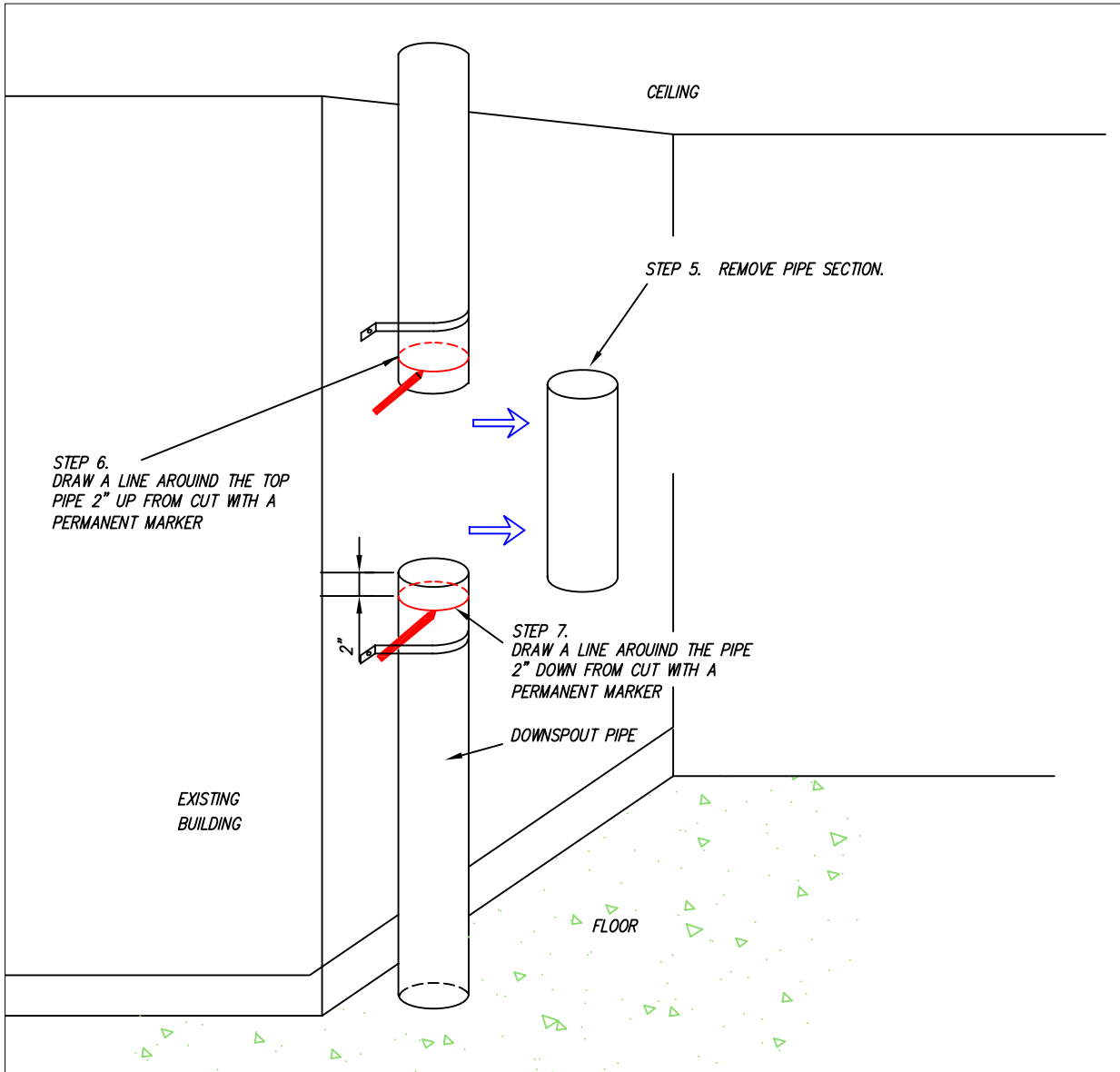


### NOTES

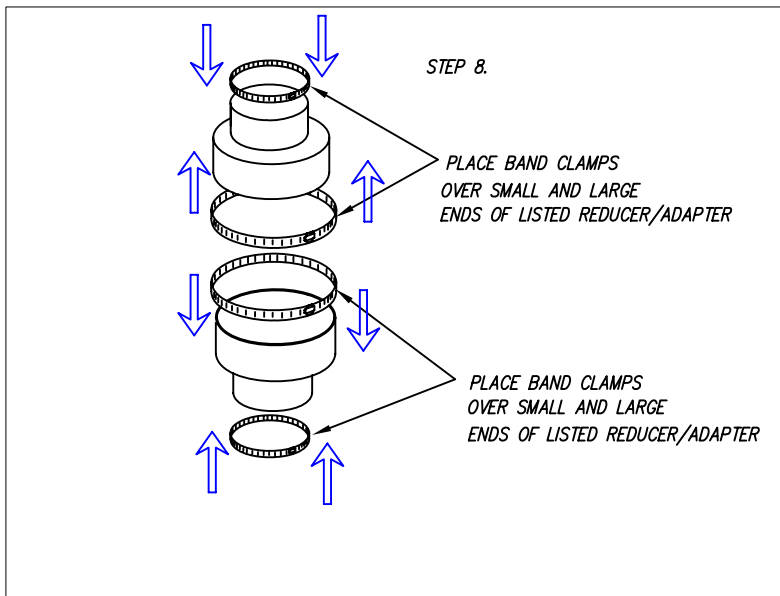
1. The device shall be sized according to the nominal size of the interconnecting drainage system. At no time shall the entrance size be larger than the exit size.
2. The device shall be installed in an accessible location to provide for means of repair and maintenance.
3. The device shall be installed using approved adapters or couplings to attach the device to the downspout or drainage pipe.



P.O. BOX 869, Oceanside, Ca. 92049  
(760) 433-7640 Fax (760) 433-3176  
www.biocleanenvironmental.net

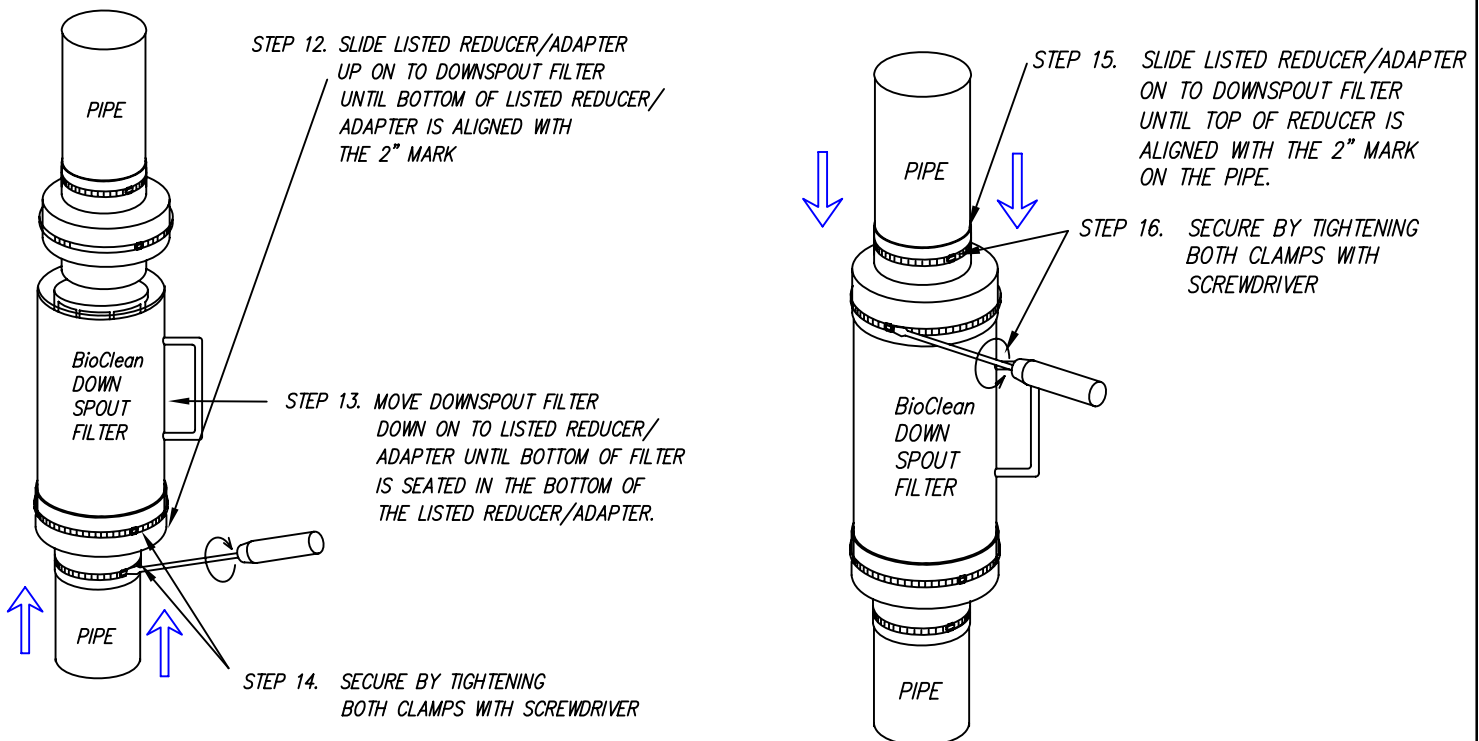
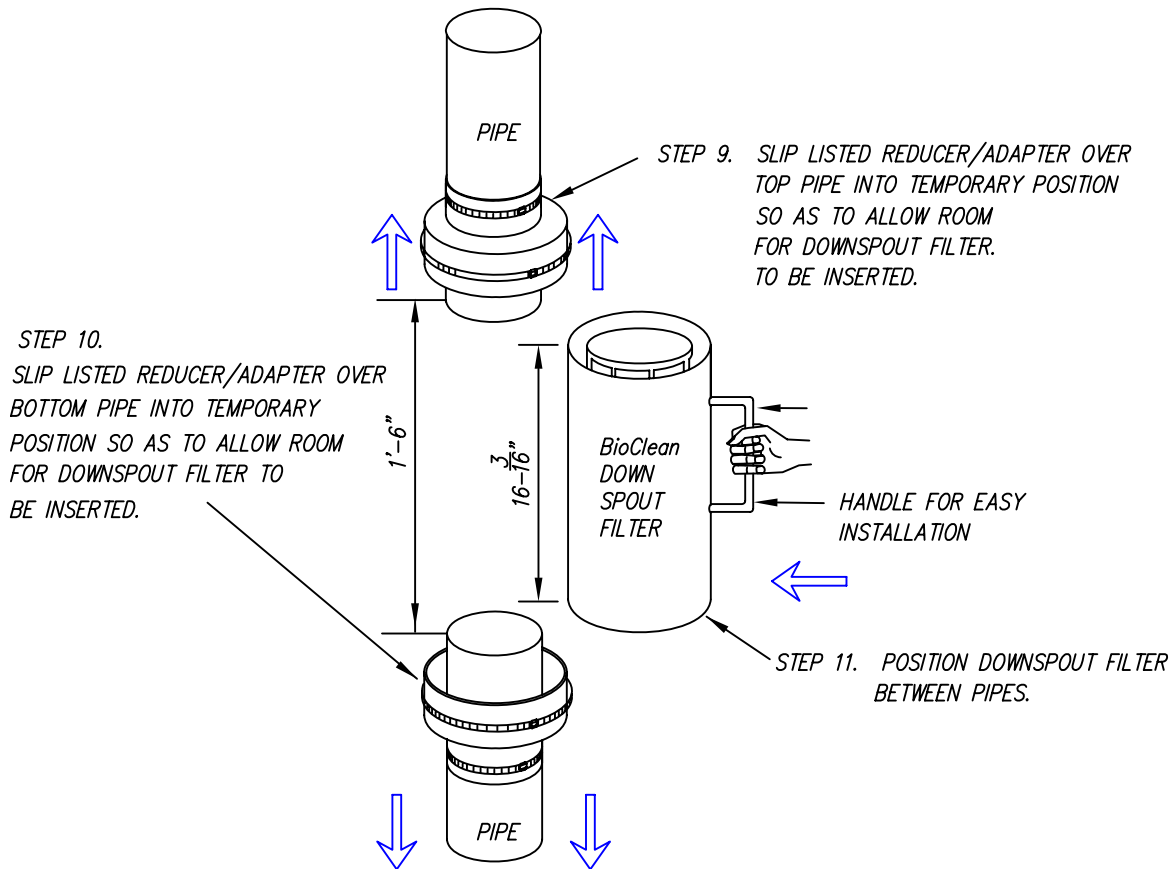


**PREPARING LISTED REDUCERS/ADAPTERS**

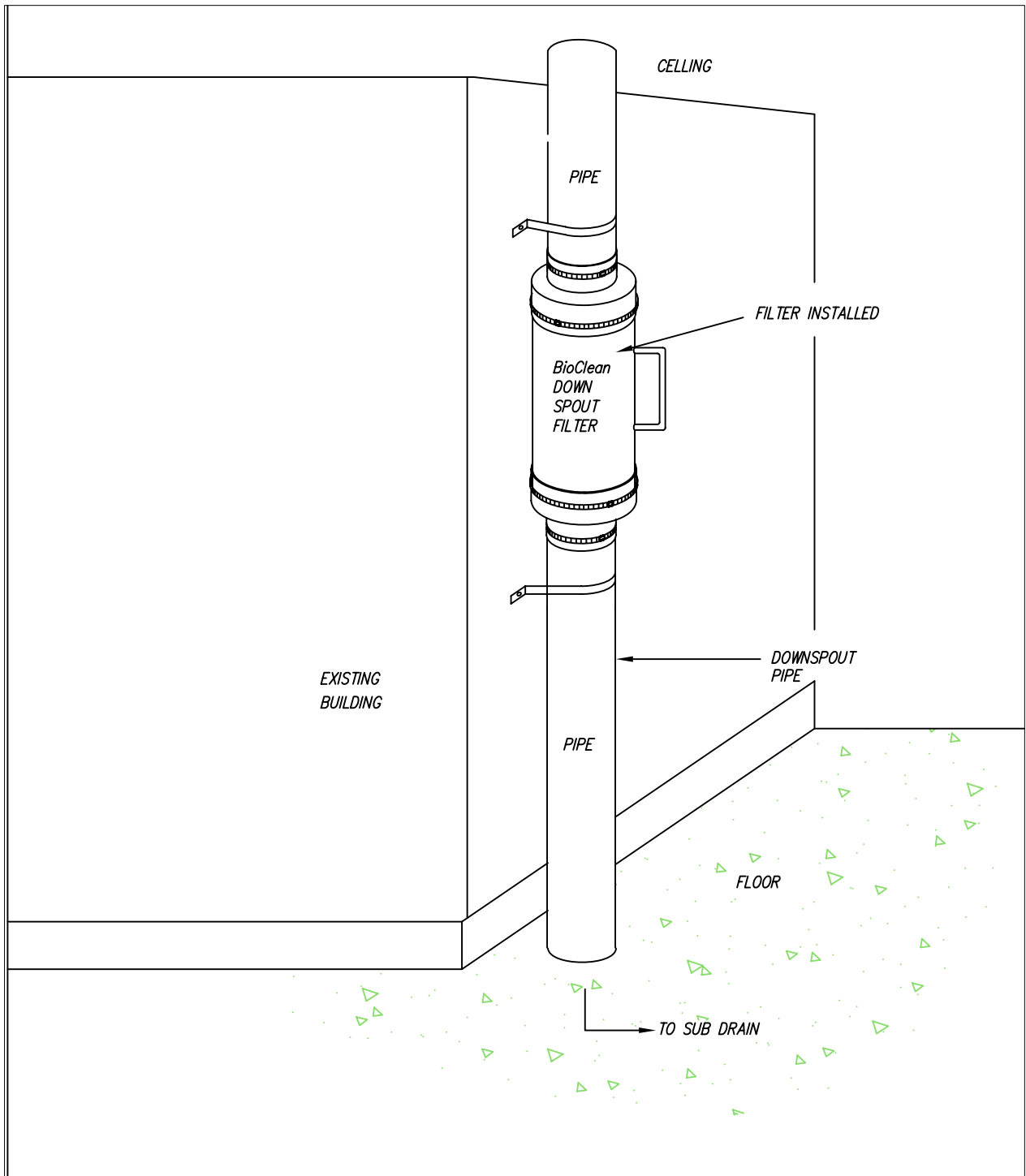


P.O. BOX 869, Oceanside, Ca. 92049  
 (760) 433-7640 Fax (760) 433-3176  
 www.biocleanenvironmental.net

# INSTALLING DOWNSPOUT FILTER



## TYPICAL DOWNSPOUT FILTER INSTALLED (FOR EXAMPLE, INSIDE PARKING STRUCTURE)



### NOTES

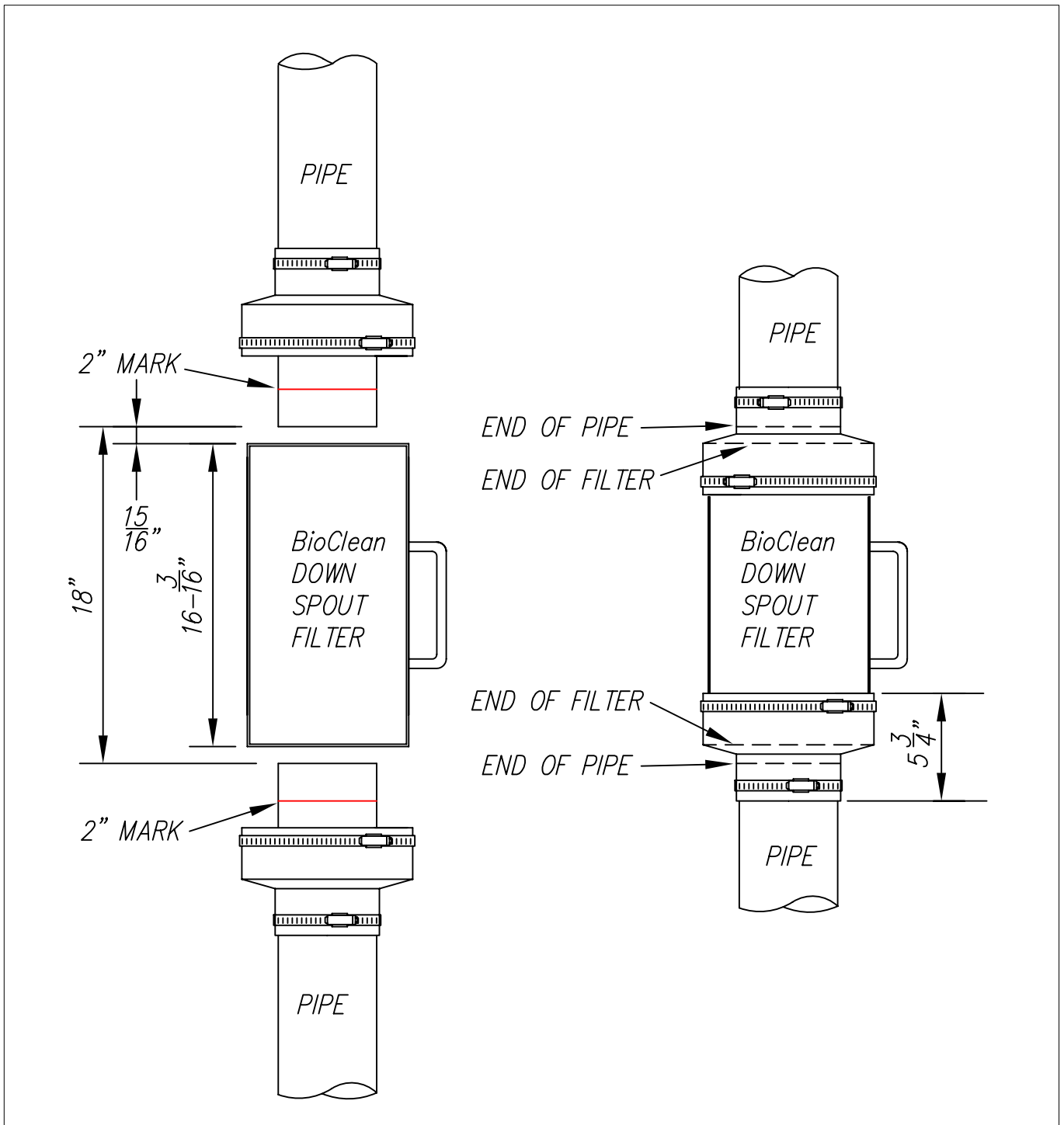
1. The device shall be sized according to the nominal size of the interconnecting drainage system. At no time shall the entrance size be larger than the exit size.
2. The device shall be installed in an accessible location to provide for means of repair and maintenance.
3. The device shall be installed using approved adapters or couplings to attach the device to the downspout or drainage pipe.



P.O. BOX 869, Oceanside, Ca. 92049  
(760) 433-7640 Fax (760) 433-3176  
[www.biocleanenvironmental.net](http://www.biocleanenvironmental.net)

## APPROPRIATE FILTER POSITIONING

### FILTER CENTERED BETWEEN PIPES WITH EVEN GAPS ON TOP AND BOTTOM



#### NOTES

1. The device shall be sized according to the nominal size of the interconnecting drainage system. At no time shall the entrance size be larger than the exit size.
2. The device shall be installed in an accessible location to provide for means of repair and maintenance.
3. The device shall be installed using approved adapters or couplings to attach the device to the downspout or drainage pipe.

