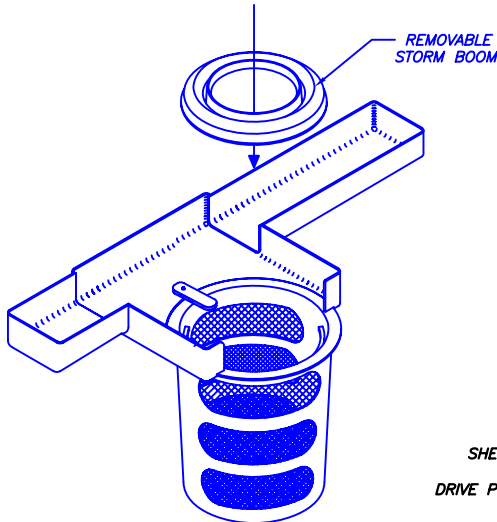


ENVIRO-SAFE HIGH CAPACITY ROUND GRATE INLET SKIMMER  
BOX SYSTEM FOR USE UNDER MANHOLES

ROUND GISB FOR MOUNTING UNDER MANHOLE



DETAIL OF PARTS  
FIGURE 1

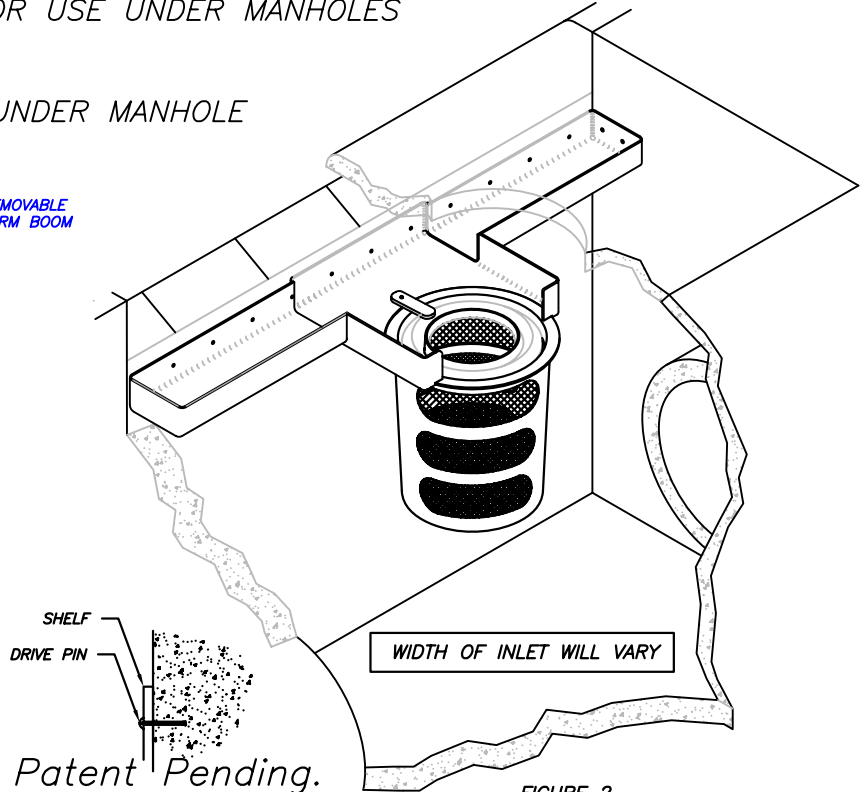


FIGURE 2  
DETAIL OF INSTALLATION

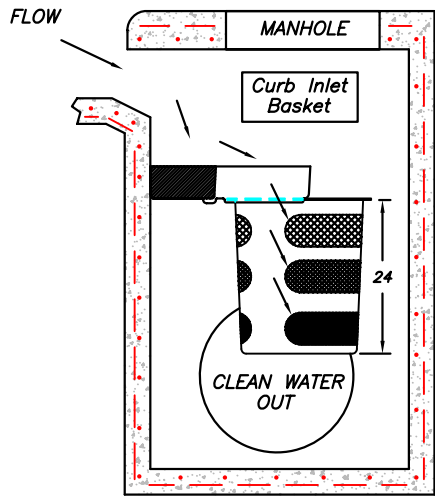


FIGURE 3  
DETAIL OF PROCESS

REMOVABLE BASKET CATCHES EVERYTHING  
AND MAY BE REMOVED THROUGH MANHOLE  
WITHOUT ENTRY.

| FLOW RATES per Basket |   |                      |        |                        |
|-----------------------|---|----------------------|--------|------------------------|
|                       | $Q = SO * c_d * A \sqrt{2 * g * h}$ $c_d = \text{Coefficient of Discharge} = .67$ |                      |        |                        |
|                       | SO  | A (ft <sup>2</sup> ) | h (ft) | Q (ft <sup>3</sup> /s) |
| TOP SIDE              | 1   | 135.22               | 5.50   | 3.42                   |
| CENTER SIDE           | .62   | 130.36               | 11.5   | 2.95                   |
| BOTTOM SIDE           | .56   | 125.50               | 17.50  | 3.17                   |
| BOTTOM                | .68   | 63.14                | 20.81  | 2.11                   |
| TOTAL                 |   |                      |        | 11.65                  |

NOTES:

- 1.SHELF SYSTEM PROVIDES FOR ENTIRE COVERAGE OF INLET OPENING SO TO DIVERT ALL FLOW TO BASKET.
- 2.SHELF SYSTEM MANUFACTURED FROM MARINE GRADE FIBERGLASS,GEL COATED FOR UV PROTECTION.
- 3.SHELF SYSTEM ATTACHED TO THE CATCH BASIN WITH NON-CORROSIVE HARDWARE.
- 4.FILTRATION BASKET STRUCTURE MANUFACTURED OF MARINE GRADE FIBERGLASS,GEL COATED FOR UV PROTECTION.
- 5.FILTRATION BASKET FINE SCREEN AND COARSE CONTAINMENT SCREEN MANUFACTURED FROM STAINLESS STEEL.
- 6.FILTRATION BASKET HOLDS BOOM OF ABSORBENT MEDIA TO CAPTURE HYDROCARBONS. BOOM IS EASILY REPLACED WITHOUT REMOVING MOUNTING HARDWARE.
- 7.FILTRATION BASKET LOCATION IS DIRECTLY UNDER MANHOLE FOR EASY MAINTENANCE.

5 YEAR MANUFACTURERS WARRANTY

PATENTED

ALL FILTER SCREENS ARE STAINLESS STEEL

EXCLUSIVE CALIFORNIA DISTRIBUTOR:  
BIO CLEAN ENVIRONMENTAL SERVICE  
P.O. BOX 869, OCEANSIDE, CA. 92049  
TEL. 760-433-7640 FAX:760-433-3176  
Email: info@biocleanenvironmental.net

SUNTREE QUALITY PRODUCTS ARE BUILT FOR EASY CLEANING AND ARE  
DESIGNED TO BE PERMANENT INFRASTRUCTURE AND SHOULD  
LAST FOR DECADES.

|   |                |            |       |
|---|----------------|------------|-------|
| SUNTREE TECHNOLOGIES<br>798 CLEARLAKE RD. SUITE #2<br>COCOA FL. 32922<br>TEL. 321-637-7552 FAX 321-637-7554 |                | PROJECT:   |       |
| CURB INLET BASKET SYSTEM  |                | REVISIONS: | DATE: |
| DATE: 04/12/04  | SCALE: SF = 15 | REVISIONS: | DATE: |
| DRAFTER: N.R.B.   | UNITS = INCHES | REVISIONS: | DATE: |