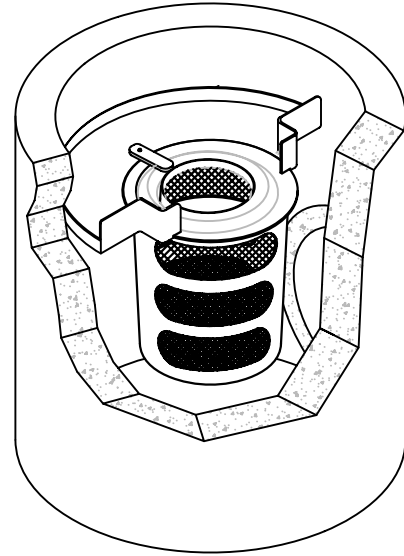
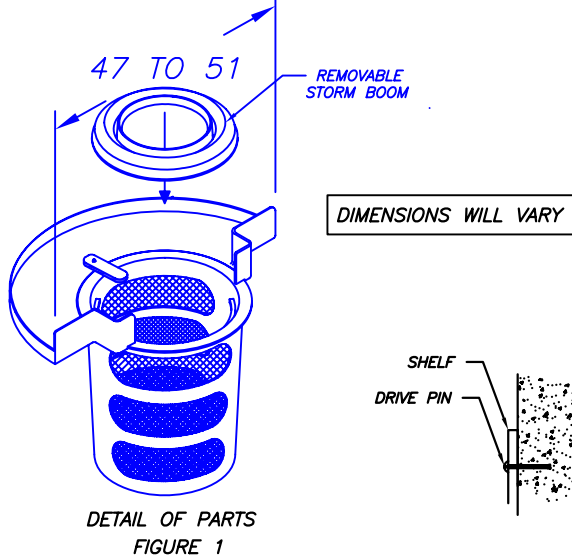
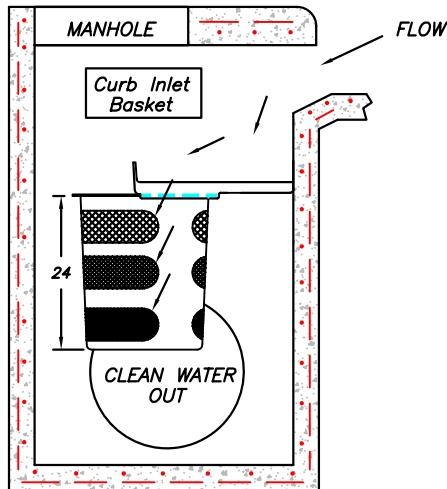


ENVIRO-SAFE HIGH CAPACITY ROUND GRATE INLET SKIMMER  
 THE CURB SHELF BASKET WATER CLEANSING SYSTEM  
 HIGH CAPACITY CURB INLET BASKET

ROUND GISB FOR MOUNTING UNDER MANHOLE



ROUND CANISTER IN CYLINDRICAL BASIN



REMOVABLE BASKET CATCHES EVERYTHING  
 AND MAY BE REMOVED THROUGH MANHOLE  
 WITHOUT ENTRY.

FLOW RATES per Basket				
	$Q=SO*c_d*A\sqrt{2*g*h}$		$c_d = \text{Coefficient of Discharge} = .67$	
	SO	A(ft <sup>2</sup> )	h (ft)	Q (h <sup>3</sup> /s)
TOP SIDE	1	135.22	5.50	3.42
CENTER SIDE	.62	130.36	11.5	2.95
BOTTOM SIDE	.56	125.50	17.50	3.17
BOTTOM	.68	63.14	20.81	2.11
TOTAL				11.65
THROAT FLOW RATE				2.4 cfs

NOTES:

- 1.SHELF SYSTEM PROVIDES FOR ENTIRE COVERAGE OF INLET OPENING SO TO DIVERT ALL FLOW TO BASKET.
- 2.SHELF SYSTEM MANUFACTURED FROM MARINE GRADE FIBERGLASS,GEL COATED FOR UV PROTECTION.
- 3.SHELF SYSTEM ATTACHED TO THE CATCH BASIN WITH NON-CORROSIVE HARDWARE.
- 4.FILTRATION BASKET STRUCTURE MANUFACTURED OF MARINE GRADE FIBERGLASS,GEL COATED FOR UV PROTECTION.
- 5.FILTRATION BASKET FINE SCREEN AND COARSE CONTAINMENT SCREEN MANUFACTURED FROM STAINLESS STEEL.
- 6.FILTRATION BASKET HOLDS BOOM OF ABSORBENT MEDIA TO CAPTURE HYDROCARBONS. BOOM IS EASILY REPLACED WITHOUT REMOVING MOUNTING HARDWARE.
- 7.FILTRATION BASKET LOCATION IS DIRECTLY UNDER MANHOLE FOR EASY MAINTENANCE.

5 YEAR MANUFACTURERS WARRANTY

PATENTED

ALL FILTER SCREENS ARE STAINLESS STEEL

EXCLUSIVE CALIFORNIA DISTRIBUTOR:  
 BIO CLEAN ENVIRONMENTAL SERVICE  
 P.O. BOX 869, OCEANSIDE, CA. 92049  
 TEL: 760-433-7640 FAX:760-433-3176  
 Email: info@biocleanenvironmental.net

SUNTREE QUALITY PRODUCTS ARE BUILT FOR EASY CLEANING AND ARE  
 DESIGNED TO BE PERMANENT INFRASTRUCTURE AND SHOULD  
 LAST FOR DECADES.

SUNTREE TECHNOLOGIES 798 CLEARLAKE RD. SUITE #2 COCOA FL. 32922 TEL. 321-637-7552 FAX 321-637-7554		PROJECT:	
CURB INLET BASKET SYSTEM		REVISIONS:	DATE:
DATE: 04/12/04	SCALE: SF = 15	REVISIONS:	DATE:
DRAFTER: N.R.B.	UNITS = INCHES	REVISIONS:	DATE: