

CALIFORNIA CURB SHELF BASKET WATER CLEANSING SYSTEM
 SAN DIEGO REGIONAL STANDARD CURB INLET

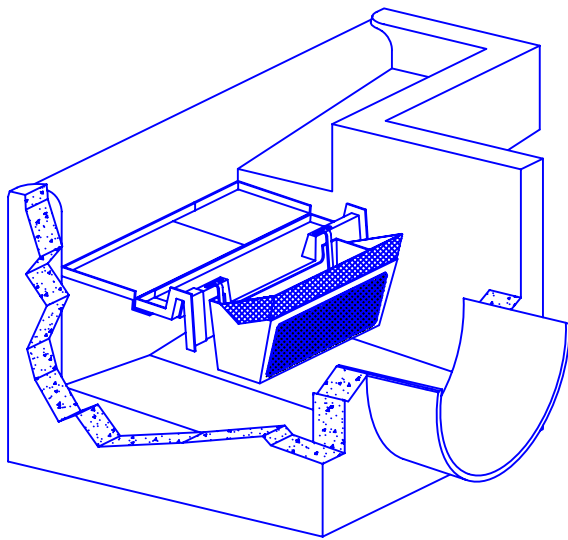


FIGURE 1
 DETAIL OF PARTS

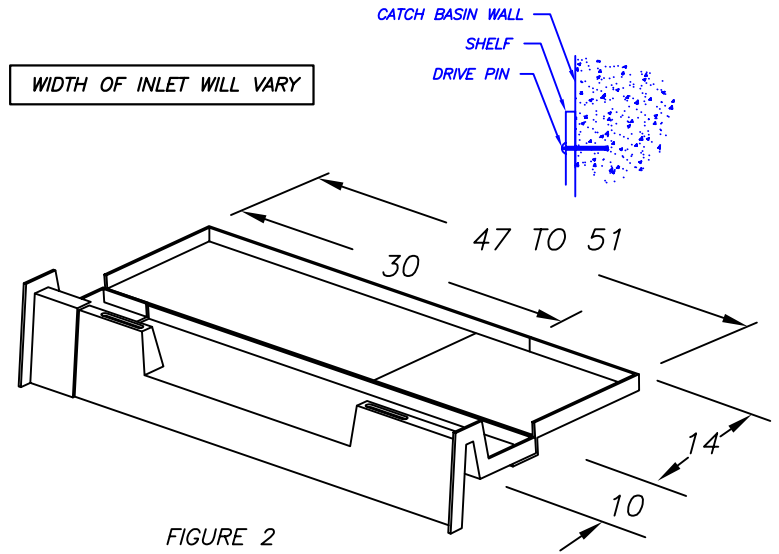


FIGURE 2
 DETAIL OF INSTALLATION

REMOVABLE BASKET CATCHES EVERYTHING
 AND MAY BE REMOVED THROUGH MANHOLE
 WITHOUT ENTRY.

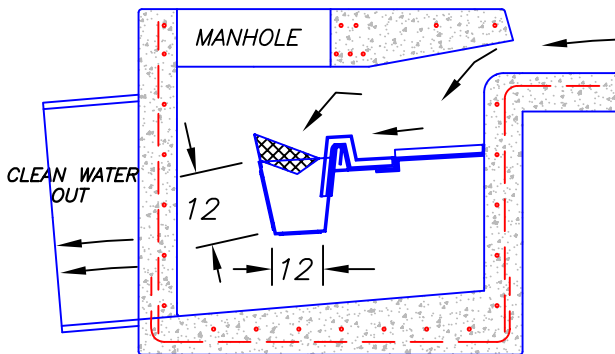


FIGURE 3
 DETAIL OF PROCESS

FLOW RATES per 3 FT. Basket				
$Q = SO * c_d * A * \sqrt{2 * g * h}$ $c_d = \text{Coefficient of Discharge} = .67$				
	SO	A (ft ²)	h (ft)	Q (ft ³ /s)
Coarse Screen	.62	.84	0.146	1.06
Med Screen	.56	1.36	0.75	3.53
Fine Screen	.68	1.02	1.167	4.01
TOTAL				8.6

The above flow rates are based on unobstructed screens.

NOTES:

1. SHELF SYSTEM PROVIDES FOR ENTIRE COVERAGE OF INLET OPENING SO TO DIVERT ALL FLOW TO BASKET.
2. SHELF SYSTEM MANUFACTURED FROM MARINE GRADE FIBERGLASS, GEL COATED FOR UV PROTECTION.
3. SHELF SYSTEM ATTACHED TO THE CATCH BASIN WITH NON-CORROSIVE HARDWARE.
4. FILTRATION BASKET STRUCTURE MANUFACTURED OF MARINE GRADE FIBERGLASS, GEL COATED FOR UV PROTECTION.
5. FILTRATION BASKET FINE SCREEN AND COARSE CONTAINMENT SCREEN MANUFACTURED FROM STAINLESS STEEL.
6. FILTRATION BASKET HOLDS BOOM OF ABSORBENT MEDIA TO CAPTURE HYDROCARBONS. BOOM IS EASILY REPLACED WITHOUT REMOVING MOUNTING HARDWARE.
7. FILTRATION BASKET LOCATION IS DIRECTLY UNDER MANHOLE FOR EASY MAINTENANCE.

BOX MANUFACTURED FROM
 MARINE GRADE FIBERGLASS & GEL
 COATED FOR UV PROTECTION

5 YEAR MANUFACTURERS WARRANTY

PATENTED

ALL FILTER SCREENS ARE STAINLESS STEEL

EXCLUSIVE CALIFORNIA DISTRIBUTOR:
 BIO CLEAN ENVIRONMENTAL SERVICE
 TEL: 760-433-7640 FAX: 760-433-3176
 Email: info@biocleanenvironmental.net

SUNTREE QUALITY PRODUCTS ARE BUILT FOR EASY CLEANING AND ARE
 DESIGNED TO BE PERMANENT INFRASTRUCTURE AND SHOULD
 LAST FOR DECADES.

		PROJECT:	
		REVISIONS:	DATE:
CURB INLET BASKET SYSTEM		REVISIONS:	DATE:
DATE: 04/12/04	SCALE: SF = 15	REVISIONS:	DATE:
DRAFTER: N.R.B.	UNITS = INCHES	REVISIONS:	DATE: